

SUPERWINCH

GARANTIE LIMITÉE

VALABLE A TRAVERS LE MONDE

GARANTIE LIMITÉE. Superwinch, Inc. (le "Vendeur") garantit à l'acheteur d'origine ("vous") que toutes les pièces et composants, à l'exception du câble métallique, sont sans vice de matériaux ou de fabrication, et ce, pendant une période d'un (1) an à compter de la date d'achat prouvable. Tout produit Superwinch défectueux sera réparé ou remplacé sans dépenses de votre part si vous respectez ces procédures. Les garanties énoncées par les présentes sont exclusives tiennent lieu de toutes autres garanties expresses ou implicites.

PROCÉDURE DE RECOURS À LA GARANTIE LIMITEE.

Dès découverte d'un produit Superwinch défectueux, vous devez envoyer à Superwinch, à l'usine ou à un Centre de réparation autorisé par l'usine, une notification écrite dudit défaut et vous devrez envoyer par courrier ou autre service de livraison le Superwinch défectueux, port et frais postaux payés à l'avance. Les réparations ou remplacements par le Vendeur conformément à la présente Garantie s'effectueront normalement dans les quinze (15) jours ouvrables suivant réception du Superwinch défectueux. Le Vendeur ou ses Agents autorisés peut facturer des frais raisonnables pour les pièces et la main d'oeuvre en cas de réparation non couverte par la présente Garantie limitée.

LIMITATIONS ET EXCLUSIONS EN CE QUI CONCERNE LA GARANTIE ET LES REMÈDES.

La réparation et/ou le remplacement de tout Superwinch défectueux ou de tout composant d'un tel Superwinch tel que convenu par les présentes est votre remède exclusif. Les exclusions et limitations de garanties et les limitations de REMÈDES ci-dessous seront expressément applicables :

A. Garanties expresses . Le Vendeur garantit que le Superwinch est tel qu'il est décrit dans le "Mode d'emploi Superwinch" fourni avec la présente; aucune autre garantie expresse n'est donnée en ce qui concerne le Superwinch. Si un modèle ou échantillon vous a été monté, ledit modèle ou échantillon a été utilisé à des fins d'illustration uniquement et ne sera pas considéré une garantie que le Superwinch sera conforme au modèle ou à l'échantillon. LE VENDEUR NE DONNE AUCUNE GARANTIE EXPRESSE EN CE QUI CONCERNE LE CÂBLE MÉTALLIQUE INCORPORÉ AU PRODUIT.

B. Garantie implicite . LA GARANTIE IMPLICITE DE L'APTITUDE À LA VENTE ET TOUTE AUTRE GARANTIE IMPLICITE S'APPLIQUERA UNIQUEMENT POUR UNE DURÉE D'UN (1) AN À COMPTER DE LA DATE D'ACHAT PROUVABLE. LE CÂBLE MÉTALLIQUE EST VENDU "TEL QUEL" SANS AUTRE GARANTIE IMPLICITE. CERTAINS ÉTATS AMÉRICAINS NE PERMETTENT PAS DE LIMITER LA DURÉE DES GARANTIES IMPLICITES; IL EST DONC POSSIBLE QUE LA LIMITATION CI-DESSUS NE S'APPLIQUE PAS À VOTRE CAS.

C. Dommages indirects. SUJET AUX OBLIGATIONS DE LA GARANTIE LIMITEE DU VENDEUR ÉNONCÉES DANS LE PRÉSENT DOCUMENT, LE VENDEUR NE SERA AUCUNEMENT RESPONSABLE DE DOMMAGES INDIRECTS, DE QUELQUE NATURE QUE CE SOIT, NI DE DOMMAGES INDIRECTS À LA PROPRIÉTÉ, NI DE PERTES DE PROFITS, NI DE PERTES D'UTILISATION POUVANT SURVENIR À CAUSE D'UN DÉFAUT, D'UN MAUVAIS FONCTIONNEMENT OU D'UNE PANNE QUELCONQUE DU SUPERWINCH CI-JOINT. CERTAINS ÉTATS AMÉRICAINS NE PERMETTENT PAS D'EXCLURE OU DE LIMITER LES DOMMAGES INDIRECTS; IL EST DONC POSSIBLE QUE LA LIMITATION CI-DESSUS NE S'APPLIQUE PAS À VOTRE CAS.

D. Condition de la garantie. Le Vendeur ne sera pas tenu de se conformer aux obligations de garantie fournies par les présentes si la cause du défaut, du mauvais fonctionnement ou de la panne du Superwinch est un dommage (ne résultant pas de composants défectueux ou qui fonctionnent mal) ou une utilisation déraisonnable par vous. Le terme Utilisation déraisonnable comprend mais ne est pas limité au manquement à la maintenance, à l'installation et à l'utilisation raisonnables et nécessaires conformément aux consignes contenues dans le Mode d'emploi Superwinch, et à l'utilisation du Superwinch pour des charges supérieures à celle figurant dans le Mode d'emploi pour le modèle en question. La responsabilité du Vendeur sous la présente garantie ou pour toute perte du produit Superwinch ou dommage à celui-ci ne dépassera pas le coût de correction des défauts du produit Superwinch ou de remplacement de celui-ci, et lors de l'expiration de la période de garantie, toute telle responsabilité prendra fin. Les agents, distributeurs et employés du Vendeur ne sont pas autorisés à modifier la présente garantie ni à donner d'autres garanties complémentaires obligatoires pour le Vendeur. Toute déclaration supplémentaire, qu'elle soit écrite ou orale, ne constituera donc pas une garantie et ne devra pas être considérée comme valable.

REMEDES LÉGAUX DE L'ACHETEUR. Cette garantie limitée vous donne des droits légaux spécifiques et il est possible que vous ayez d'autres droits qui varient d'un état à l'autre aux Etats-Unis et d'un pays à l'autre. Vous avez également des droits de garantie implicite. En cas de problème avec le service ou la performance suivant la garantie limitée, il est possible que vous puissiez intentionner une action en justice devant la Cour des Prudhommes ("small claims court"), devant le tribunal d'état ou devant le tribunal fédéral des Etats-Unis ou dans une autre juridiction appropriée en dehors des Etats-Unis.

QUESTIONS. Toute question en ce qui concerne le respect des garanties énoncées dans les présentes doit être envoyée, par écrit, à : Superwinch, Inc., Winch Drive, Putnam, CT 08260 U.S.A. ou à Superwinch Limited, Abbey Rise, Whitchurch Road, Tavistock, Devon PL 19 9DR, England

SUPERWINCH[®]**OWNER'S MANUAL**
 INSTALLATION • OPERATION • MAINTENANCE
 SAFETY PRECAUTIONS • REPAIR PARTS

X9
12 & 24 Volt DC Electric Winch
Models 1901, 1902
CAUTION
READ AND UNDERSTAND THIS MANUAL BEFORE INSTALLATION AND OPERATION OF YOUR SUPERWINCH PRODUCT.

 Superwinch, Inc.
 Winch Drive
 Putnam, CT 06260
 U.S.A.
 Tel. (860) 928-7787
 Fax (860) 963-0811

 Superwinch, Ltd.
 Abbey Rise, Whitchurch Road
 Tavistock, Devon PL 19 9DR
 England
 Tel. +44 (0) 1822 614101
 Fax +44 (0) 1822 615204

INTRODUCTION

Thank you for purchasing an X9 winch from Superwinch. It has been designed and manufactured to provide years of trouble-free operation. We hope you will be pleased with its performance. If you are not, for any reason, please contact our Customer Service Department: (860) 928-7787 USA; +44 (0) 1822 614101 England.

When requesting information or ordering replacement parts; always give the following information:

1. Winch Part Number (1901, 1902)
2. Serial Number (found on motor adapter casting)
3. Part Number (found in Replacement Parts List section)
4. Part Description

Please read and understand this Owner's Manual prior to installing and using your winch. Pay particular attention to the General Safety Information. Your winch is a very powerful machine. If used unsafely or improperly, there is a possibility that property damage or personal injury can result. We have included several features in this winch to minimize this possibility; however, your safety ultimately depends on your caution when using this product.

Throughout this manual, you will find notations with the following headings:

- ⚠ DANGER** Indicates an imminently hazardous situation which, if not avoided, will result in death or serious injury.
- ⚠ WARNING** Indicates a potentially hazardous situation which, if not avoided, could result in death or serious injury.
- ⚠ CAUTION** Indicates a potentially hazardous situation which, if not avoided, may result in minor or moderate injury. This notation is also used to alert against unsafe practices.

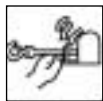
The following symbols on the product and in the Owner's manual are used:



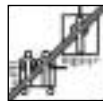
Read Owner's Manual



Always Use Handsaver



Keep clear of winch, wire rope and hook while operating



Never use winch to lift or move people



Never use winch to hold loads in place

Note: Indicates additional information in the installation and operation procedures of your winch.

Correct installation of your X9 winch is a requirement for proper operation. If you install your X9 winch on the front end of your vehicle, **use the X9 mounting (fitting) kit** which has been designed and manufactured by Superwinch to accommodate your winch and fit your vehicle.

Please Note: The Superwinch model X9 winch is designed primarily for front mount vehicle use and for other intermittent applications. This winch is not designed to be used in hoisting applications and Superwinch does not warrant it to be suitable for such use. Please contact our Customer Service Department for further information. Note the electrical requirements of the X9 winch you have purchased:
Part No. 1901 12-volt DC system Only
Part No. 1902 24-volt DC system Only
Congratulations on your choice!

European Union



Noise The noise level for this winch in operation is below 92 dB(A).

Wire Rope Winches that conform to Machinery Directive 89/392/EEC, are fitted with a 3/8" x 75 ft. wire rope (p/n 90-20136-03), in lieu of standard 5/16" x 100 ft. wire rope.

Emergency Stop In order to conform to Machinery Directive 89/392/EEC, each machine installation must be fitted with an Isolator switch (p/n 1562) whereby the machine can be brought safely to a complete stop.

Superwinch is not responsible for printing errors inadvertently made in the production of this manual.

ROLLING LOAD CAPACITIES*

Grade**	10% (6°)	20% (11°)	30% (17°)	60% (31°)	100% (45°)
Lbs.	45,225	30,600	23,500	15,000	11,575
kg	20514	13880	10659	6804	5250

* Ratings assume a 10% coefficient of friction.

** A 10% grade is a rise of one foot in ten feet. Slope in approximate degrees is also shown.

UNPACKING

This carton contains the following items. Please unpack carefully.

Read instructions before beginning.

Description	Quantity
Winch assembly with wire rope	1
Solenoid assembly	1
Solenoid mounting bracket	1
1/4-20 Hex head bolts	4
1/4-20 Hex nuts	2
1/4 External tooth lock washer	4
Terminal boots	3
3/8-16 Square nuts	4
3/8 Lock washers	4
3/8-16 x 1 Hex head bolts, grade 8	4
Hand saver	1
7" Wire ties	6
Long lead wire assembly (color coded black)	1
Remote pendant	1
Clevis hook	1
Owner's manual	1

FEATURES

Electric Motor – 4.2 peak hp (3.1 kw) 12V Series Wound or 3.5 peak hp (2.6 kw) 24V Series Wound.

Braking – A one way drag brake will hold a 4,500 lb. (2041 kg) load on the first wrap.

Drum – Fabricated steel running in copolymer maintenance free bearings.

Freespool Clutch – Operated by an easy action lever which disengages the gearbox to allow the wire rope to be pulled out without using electric power. A spring-loaded drag mechanism reduces backlash and snarling when pulling out the wire rope.

Remote Switch – 15' (4.5m) hand held pendant switch assembly.

Mounting – Optional custom-engineered mounting kits are available for vehicle frame attachment.

INTERMITTENT DUTY

An electric winch is like any other motor driven power tool such as an electric drill or saw. The electric motor should not be allowed to become excessively hot. Normal precautions will extend the life of your motor. Keep the duration of pulls as short as possible. **If the end of the**

motor becomes uncomfortably hot to touch, stop winching and allow the motor to cool down.

CAUTION *If the winch motor stalls, do not continue to apply power to the winch.*

PERFORMANCE

Wire Rope Layer	Max. Pulling Capacity lbs	kg
1	9,000	4082
2	7,365	3340
3	6,230	2825
4	5,400	2450
5	4,765	2161

Load lbs	kg	Speed* 12V		Speed* 24V		Motor Current (Amps)*	
		ft/min	m/min	ft/min	m/min	12V	24V
0	0	38.2	11.6	38.0	11.6	73	42
1,000	454	18.0	5.5	21.7	6.6	130	72
2,000	907	13.8	4.2	17.1	5.2	165	90
4,000	1814	9.0	2.7	12.0	3.6	240	133
6,000	2722	6.0	1.8	8.3	2.5	316	181
9,000	4082	2.5	0.8	3.5	1.0	420	252

SPECIFICATIONS

Working Load* . . . 9,000 lbs. (4082 kg)
 Stall Load 12V*, 24V*12,700 lbs.
 (5760 kg)
 Wire Rope 5/16" x 100'

12V Motor . . . 4.2 hp (3.1 kw) peak
 24V Motor . . . 3.5 hp (2.6 kw) peak
 Gear Ratio 253:1

*Based on first layer performance

GENERAL SAFETY INFORMATION

Your X9 winch is a very powerful machine. Treat it with respect, use it with caution and always follow these safety guidelines.

WARNING *The responsibility for safe installation and operation of the winch and prevention of personal injury and property damage ultimately rests with you, the operator. There is no substitute for the use of good judgement and caution in operating a winch.*

WARNING *The wire rope may break before the winch stalls. For heavy loads, use a pulley block to reduce the load on the wire rope.*

1. The X9 winch is rated at 9,000 pounds (4082 kg) (single line) capacity on the wire rope layer closest to the drum. **DO NOT OVERLOAD. DO NOT ATTEMPT PROLONGED PULLS AT HEAVY LOADS.** Do not maintain power to the winch if the motor stalls. Overloads can damage the winch and/or the wire rope and create unsafe operating conditions. **FOR LOADS OVER 6,000 POUNDS (2721 KG), WE RECOMMEND THE USE OF THE OPTIONAL PULLEY BLOCK TO DOUBLE LINE THE WIRE ROPE** (Figures 1 & 14). This reduces the load on the winch and the strain on the wire rope by approximately 50%. If attaching back to vehicle, attach to the frame or other load bearing part. **The vehicle engine should be running during winch**

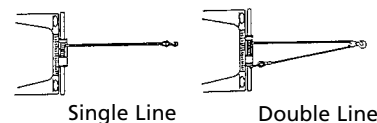



Figure 1

operation to minimize battery drain and maximize winch power and speed. If considerable winching is performed with the engine off, the battery may be too weak to restart the engine.

2. AFTER READING AND UNDERSTANDING THIS MANUAL, LEARN TO USE YOUR WINCH. After installing the winch, practice using it so you will be familiar with it when the need arises. 
3. DO NOT "move" your vehicle to assist the winch in pulling a load. The combination of the winch and vehicle pulling together could overload the wire rope and the winch itself.
4. KEEP WINCHING AREA CLEAR. Do not allow people to remain in the area during winching operations. ALWAYS STAND CLEAR OF WIRE ROPE/HOOK AND WINCH. IN THE UNLIKELY EVENT OF ANY COMPONENT FAILURE IT'S BEST TO BE OUT OF HARM'S WAY.
5. INSPECT WIRE ROPE AND EQUIPMENT FREQUENTLY. **A FRAYED WIRE ROPE WITH BROKEN STRANDS SHOULD BE REPLACED IMMEDIATELY.** Always replace wire rope with the manufacturer's identical replacement part (see Replacement Parts List). Periodically check the winch installation to ensure that all bolts are tight.
6. USE HEAVY LEATHER GLOVES when handling wire rope. **DO NOT LET WIRE ROPE SLIDE THROUGH YOUR HANDS EVEN WHEN WEARING GLOVES.**

GENERAL SAFETY INFORMATION (CONT.)

7. NEVER WINCH WITH LESS THAN 5 TURNS of wire rope AROUND THE WINCH DRUM since the wire rope end fastener will NOT withstand a load. Your X9 winch wire rope has a ten-foot red "warning indicator" on each end. The "warning indicator" at the winch end warns you that the wire rope is near or less than 5 turns. The "warning indicator" at the hook end of the wire rope warns you that the hook is approaching the winch. ALWAYS USE THE HANDSAVER when guiding the wire rope in or out (see Figure 2). As you use your winch, the red paint will wear off due to normal use. When this happens, renew the red paint as it is a **safety feature of the winch.**



Figure 2

8. KEEP CLEAR OF WINCH, TAUT WIRE ROPE AND HOOK WHEN OPERATING WINCH. Never put your finger through the hook. If your finger should become trapped in the hook, you could be injured. **Never guide a wire rope onto the drum with your hand.**
9. NEVER HOOK THE WIRE ROPE BACK ONTO ITSELF. You could damage the wire rope. Use a nylon sling (Figure 3).

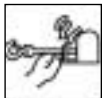


Figure 3

10. Lay a heavy blanket or jacket over the wire rope near the hook end when pulling heavy loads (Figure 4). Should a wire rope failure occur, the cloth will act as a damper and help prevent the rope from whipping. Raise the hood of the vehicle for added protection.

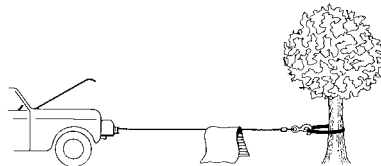


Figure 4

11. NEVER USE YOUR WINCH FOR LIFTING PEOPLE OR MOVING PEOPLE.
12. Your winch is not intended for overhead hoisting operations.
13. AVOID CONTINUOUS PULLS FROM EXTREME ANGLES as this will cause the wire rope to pile up at one end of the drum (Figure 5). This can jam the wire rope in the winch, causing damage to the wire rope or winch itself.

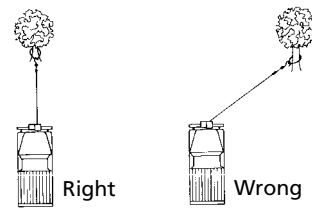


Figure 5

GENERAL SAFETY INFORMATION (CONT.)

14. NEVER OBSCURE THE WARNING INSTRUCTION LABELS.
15. Always operate winch with an unobstructed view of the winching operation.
16. Equipment such as tackle, hooks, pulley blocks, straps, etc. should be sized to the winching task and should be periodically inspected for damage that could reduce their strength.
17. NEVER RELEASE FREESPOOL CLUTCH WHEN THERE IS A LOAD ON THE WINCH.
18. STORE THE REMOTE PENDANT ASSEMBLY IN A SAFE PLACE when not in use to prevent use by children or other unauthorized persons who could injure themselves or others.
19. DO NOT OPERATE WINCH WHEN UNDER THE INFLUENCE OF DRUGS, ALCOHOL OR MEDICATION.
20. ALWAYS UNPLUG THE REMOTE PENDANT BEFORE WORKING IN OR AROUND THE FAIRLEAD OR WINCH DRUM (THE DANGER ZONE) so that the winch cannot be turned on accidentally.
21. When moving a load, slowly take up the wire rope slack until it becomes taut. Stop, recheck all winching connections. Be sure the hook is properly seated. If a nylon sling is used, check the attachment to the load.
22. When using your winch to move a load, place the vehicle transmission in neutral, set vehicle parking brake, and chock all wheels.

23. DO NOT USE THE WINCH TO HOLD LOADS IN PLACE. Use other means of securing loads such as tie down straps. Superwinch offers a wide variety of tie downs. Contact your local Superwinch dealer.



24. USE ONLY FACTORY APPROVED SWITCHES, REMOTE CONTROLS AND ACCESSORIES. Use of non-factory approved components may cause injury or property damage and could void your warranty.
25. DO NOT MACHINE OR WELD ANY PART OF THE WINCH. Such alterations may weaken the structural integrity of the winch and will void your warranty.
26. To avoid overheating the motor, do not power the winch out longer than 2 minutes.

⚠ DANGER *The drum and wire rope will get very hot (Figure 6).*

27. DO NOT CONNECT WINCH TO EITHER 110 VOLT AC HOUSE CURRENT OR 220V MAINS AS WINCH BURNOUT OR FATAL SHOCK MAY OCCUR.
28. Never allow shock loads to be applied to winch or wire rope.

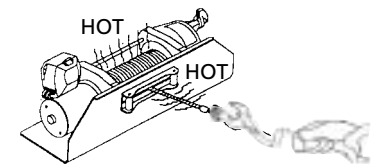
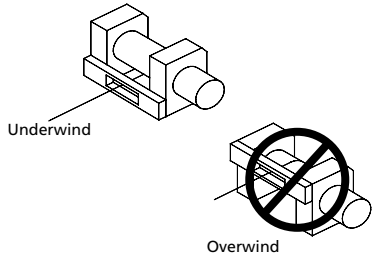


Figure 6

29. Always operate your winch in an underwind orientation only.



INSTALLATION

MOUNTING YOUR WINCH

Superwinch mounting (fitting) kits are available for most popular vehicles. If you can't locate a kit locally, contact Superwinch at the address listed on the front of this manual for the name of a Superwinch dealer near you.

Detailed mounting instructions are provided with each mounting kit. Read and install carefully to ensure proper winch alignment and trouble-free operation.

If a Superwinch mounting plate is not used, refer to Figure 7 for a guide to construct a mounting system.

Note: The winch can be mounted foot down or foot forward. See page 11 for details. The preferred mounting position is feet forward. This winch **MUST** be mounted with the wire rope in the underwind direction.

⚠ WARNING Improper mounting could damage your winch, void the warranty, and cause personal injury.

NOTES:

- All dimensions are in inches (millimeters).
- Winch is mounted with 3/8-16 (M 10) hardware. Using 1/4 inch (6.4) thick steel baseplate, bolt length to be 1 inch (25.4). Bolts to be SAE Grade 8 (ISO 10.9) or stronger.
- Use only square nuts in casting for mounting. (See Figure 8.)

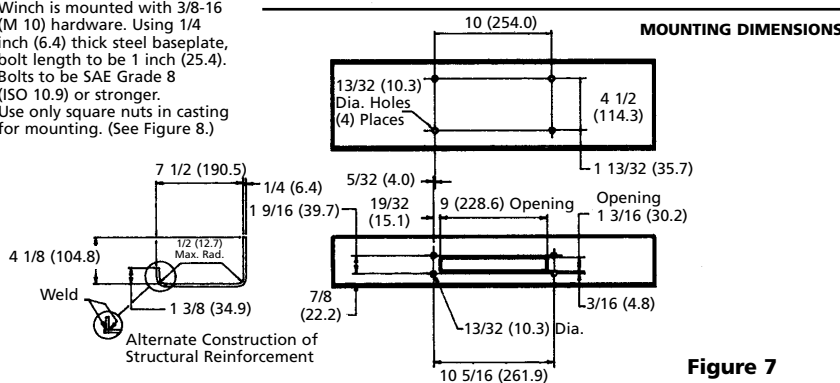


Figure 7

MINIMUM ELECTRICAL REQUIREMENTS

For 12 Volt winches, a 60 amp alternator and battery with 440 cold-cranking amperes capacity are the minimum recommended power sources. If the winch is in heavy use, an auxiliary battery and heavy duty alternator with battery isolator are recommended.

TOOLS REQUIRED

Open End Wrenches (Spanners):
 *(2) 3/8", *(2) 1/2", *(2) 7/16",
 *(2) 9/16"

(1) 1/4 inch Hex socket wrench or straight blade screwdriver

*Adjustable (Crescent) Wrenches may be substituted.

- Install mounting kit or structural support for winch.
- Change the foot orientation (if required) see page 11.
- Attach the long black color coded wire and the ground wire from solenoid pack to the motor case. Mount the winch to the mounting kit base plate or to the mount that you designed (see Figure 7).

The 3/8-16 mounting bolts supplied are the correct length for use with a 1/4" thick Superwinch mounting plate.

⚠ CAUTION The end of the mounting bolts must not contact the opposite side of the support casting's mounting pocket (see Figure 8).

Such contact could lead to a damaged casting, catastrophic failure of the winch and void the warranty. Adjust bolt length accordingly if a thicker plate is used. The bolt threads must engage all the nut threads.

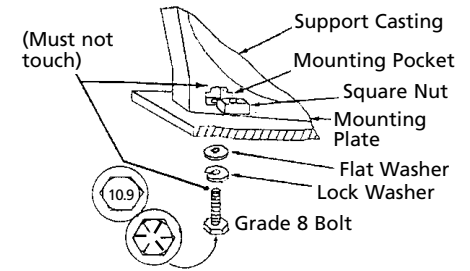


Figure 8

Always place the square nuts (provided) in the casting pockets when mounting your winch.

⚠ WARNING Do not substitute any strength grade weaker than SAE Grade 8 (ISO 10.9). Grade marking is found on the bolt head and is pictured in Figure 8.

- Mount the solenoid pack to the solenoid pack bracket with the 1/4-20 bolts provided (see Figure 22). Do not mount the bracket to the mounting plate at this time.
- Recheck all wire connections that you just made to be sure they are correct. If you are using a Superwinch mounting plate, bolt the solenoid bracket to the mount plate with the bolts, external tooth lock washers, and nuts provided. **Note:** If a Superwinch mounting plate is not used, the solenoid pack must be mounted in a way that will provide an electrical ground path from the solenoid case to the battery negative terminal. Without this ground path the winch will not work.

If you choose to relocate the solenoid pack or the winch at a greater distance than wires provided will permit, it may be necessary to purchase a larger gauge

wire to get the best performance from the winch. If the total length added exceeds 10 ft. (3m), use a larger wire gauge size.

6. Disconnect the vehicle battery leads.

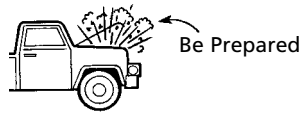


Figure 9

⚠ DANGER *Automobile batteries contain gasses which are flammable and explosive. Wear eye protection during installation and remove all metal jewelry. Do not lean over battery while making connections.*

7. Route the long red and long black color coded wires to the battery. To ensure against insulation abrasion and/or cutting, apply several layers of electrical tape where wiring may come in contact with sharp parts on the vehicle. Attach the red color coded wire to the battery positive terminal, and reattach the terminal to the battery.

If your vehicle is equipped with side pole terminals, it may be necessary to obtain auxiliary side terminal bolts from your local auto parts dealer to make these connections.

Connect the long black color coded wire to the battery negative terminal, then connect the terminal to the battery.

8. Turn the freespool clutch lever to the "free" position. Pull several feet of wire rope off the drum. Return the clutch lever back to the "Engage" position. Plug in remote pendant control. Slide the lever to "Rope Out" position to check the wire rope drum rotation direction. If drum rotates

in the wrong direction, recheck your wiring.

⚠ CAUTION *To prevent unauthorized use of the winch, remove pendant control and store in a clean dry area such as the glove box.*

Under some circumstances it may be appropriate to install additional circuit protection devices (circuit breakers). If in doubt, seek appropriate expert advice. Superwinch recommends that all winch electrical systems can be readily and quickly isolated from their electrical supply in the event of an emergency. The winch electrical system should always be isolated when the winch is not in use.

PENDANT OPERATION

The handheld pendant switch activates a solenoid that activates power to the winch motor.

To connect the pendant control, remove the cover on the plug receptacle and insert the plug end of remote switch. The plug on the pendant control cord is keyed and will fit into the socket only one way.

The switch trigger returns to the "Off" position when released.

To change direction, move the toggle in the other direction.

⚠ CAUTION *The switch assembly must be kept free of dirt and moisture to ensure safe operation.*

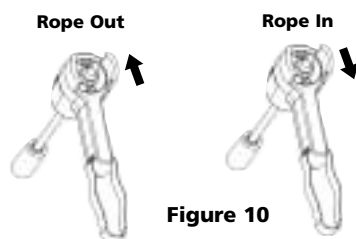


Figure 10

PULLING OUT THE WIRE ROPE

The wire rope has been installed on your winch under minimal load at the factory. The wire rope must be respooled onto the drum under load so that the outer layers will not draw down into the inner ones thereby damaging the wire rope.

Rotate the clutch lever to the "Free" position as shown in Figure 11. If there is a load on the wire rope, the clutch lever may not turn easily. DO NOT FORCE THE CLUTCH LEVER. Release tension on the wire rope by jogging out some of the wire rope, then try releasing the clutch. Pull out the wire rope and secure to anchor or load. Check that there are at least five (5) turns of wire rope left on the drum. Re-engage the drum by rotating the clutch lever to the "Engaged" position (see Figure 11).

⚠ CAUTION *Lever must be in the engaged position and locked before winching.*

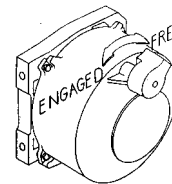


Figure 11

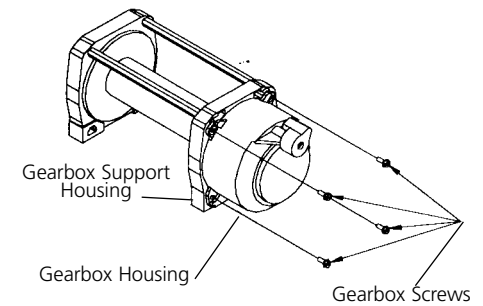
INSTRUCTIONS FOR CHANGING WINCH CONFIGURATION

The X9 winch may be used in either the foot down or foot forward configuration. For convenience of oper-

ation, the Gearbox Housing can be rotated to position the Clutch Lever to the top of the winch.

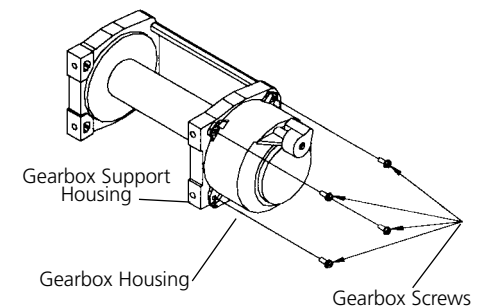
To reposition, remove the (4) screws holding the Gearbox Housing to the Gearbox Support Housing. Rotate the Gearbox Housing to the position that you would like the Clutch Lever. Replace all (4) screws.

⚠ CAUTION *Be careful to keep the Gearbox Housing against the Gearbox Support Housing during the time the (4) screws are loose or removed. This will prevent parts inside the Gearbox Housing from becoming disengaged.*



Foot Down Configuration

Figure 12



Foot Forward Configuration

Figure 13

TIPS FOR EXTENDING THE LIFE OF THE WINCH

1. KEEP A TIGHTLY WOUND WIRE ROPE DRUM. Do not allow the wire rope to become loosely wound. A loosely-wound drum allows a wire rope under load to work its way down into the layers of wire rope on the drum. When this happens, the wire rope may become wedged within the body of the windings damaging the wire rope. To prevent this problem, keep the wire rope tightly and evenly wound on the drum at all times. A good practice is to rewind the wire rope under tension after each use. One way to do this is to attach the hook to a stationary object at the top of a gradual incline and winch your vehicle up the incline.
2. DO NOT ALLOW WINCH MOTOR TO OVERHEAT. Remember, the winch is for intermittent use only. During long or heavy pulls the motor will get hot. The internal parts will be hotter than the case. To check the motor temperature, stop winching and carefully touch the motor case, if the motor is uncomfortable to touch, allow the motor to cool before continuing. KEEP THE ENGINE RUNNING TO RECHARGE THE BATTERY during this break.
3. To maximize winch and wire rope life, use a pulley block to double line heavier loads (Figure 14).

4. The pull required to start a load moving is often much greater than the pull required to keep it moving. AVOID FREQUENT STOPPING AND STARTING during pull.
5. PREVENT KINKS BEFORE THEY OCCUR.

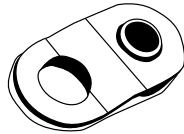


Figure 14

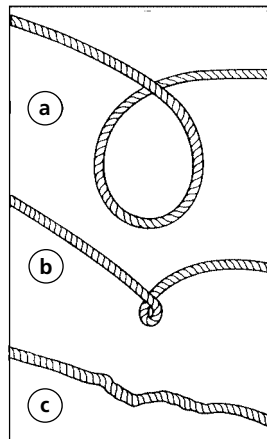


Figure 15

- a. This is the start of a kink. Wire rope should be straightened.
- b. Wire rope was pulled and loop has tightened into a kink. Wire rope is now permanently damaged and must be replaced.
- c. Result of kinking is that each strand pulls a different amount causing strands under greatest tension to break and reduce load capacity of wire rope. The wire rope must be replaced.

6. EQUIPPING THE WINCH WITH A ROLLER FAIRLEAD will substantially reduce wear on the wire rope during angle pulls (Figure 16). The rollers eliminate heavy rubbing and abrasion to the wire rope.

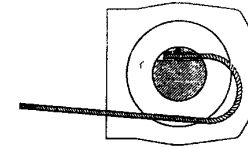


Figure 17



Figure 16

MAINTENANCE

Periodically check tightness of mounting bolts and electrical connections. Remove any dirt or corrosion that may have accumulated on the electrical connections.

Repairs should be done by Authorized Superwinch Repair Centers ONLY. Do not attempt to disassemble the gearbox. Disassembly will void warranty.

LUBRICATION

The gearbox and drum bearing are permanently lubricated with a high performance gear lube. If relubrication is necessary (after repair or disassembly) only use factory approved grease (Superwinch Part No. 90-15020).

REPLACING THE WIRE ROPE

Never substitute a heavier or lighter wire rope. Never use rope made of any other material other than wire.

Always replace damaged wire rope with manufacturer's identical replacement part (see Replacement Parts list). Pass attaching end of wire rope through the fairlead (if equipped) and attach it to the drum. When inserting the wire rope into the drum, insert it into the correct end of the hole provided (Figure 17). Tighten the set screw securely.

It is important that the wire rope be wound tightly onto the drum. A good way to do this is to attach the wire rope hook to a fixed object at the top of a slight incline, then winch the vehicle up the incline.

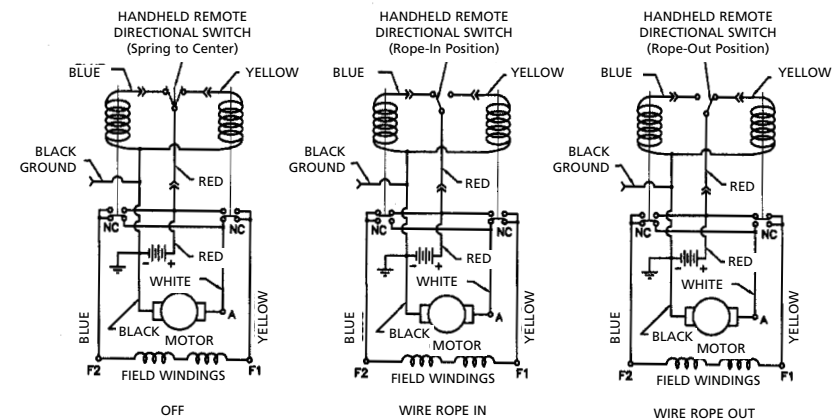


Figure 18

WINCH ASSEMBLY

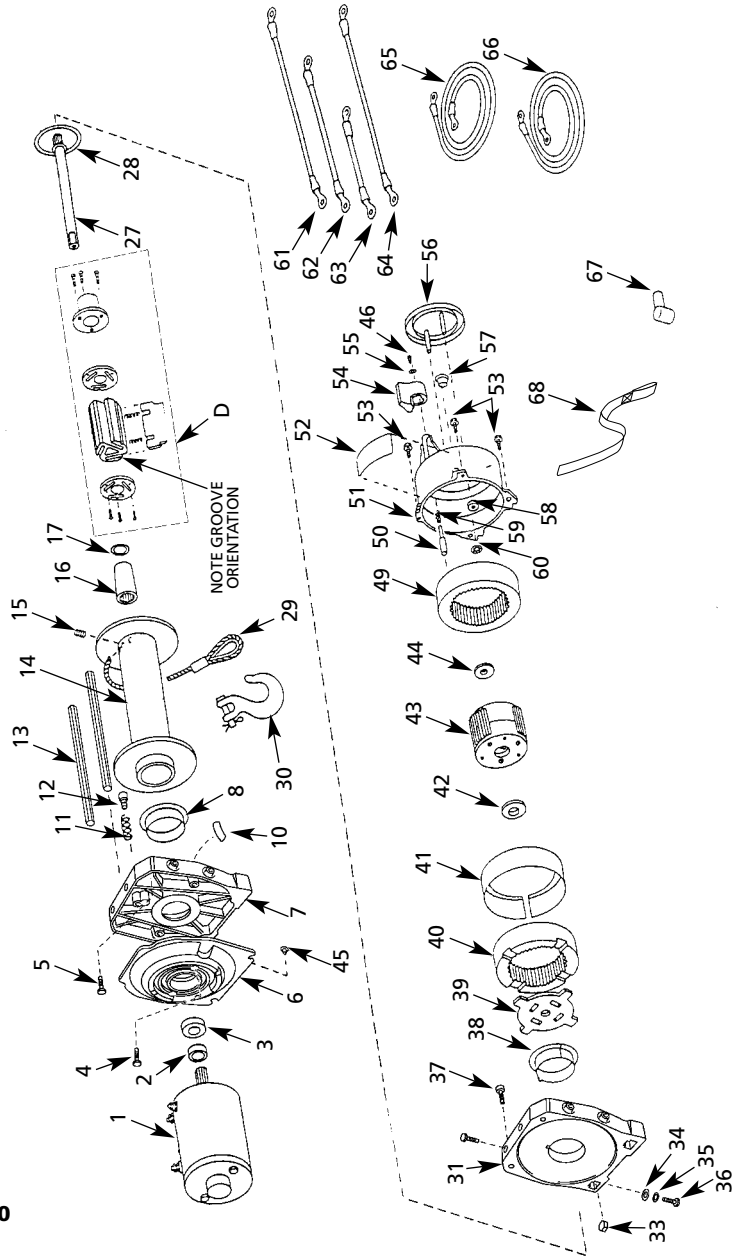


Figure 20

REPLACEMENT PARTS LIST

Reference Number	Description	Part Number	Qty
1	12 VDC Motor (inc. thru bolts)	90-33333	1
	24 VDC Motor (inc. thru bolts)	90-33334	1
2	Motor Spacer	90-10354	1
3	Ball Bearing	94-23079-05	1
4	1/4-20 x 5/8 Self tapping hex head screw	90-23039-10	3
5	1/4-20 x 3/4 Socket Head Cap Screw	90-23055-06	2
6	Motor Adapter	90-32165	1
7	Outboard Drum Support w/ 10	90-32255	1
8	Drum Bearing	90-12575	1
9	Not applicable this model	—	—
10	Winding Direction Label	92-10211	1
11	Drag Button Spring	90-23152-08	1
12	Drag Button	90-22612	1
13	Tie Rod	90-20033	2
14	Drum	90-31069-04	1
15	M8 x 10 Socket Set Screw	94-23164-09	1
16	Drive Shaft Coupling	90-22110	1
17	Washer	90-23120-08	2
D	Brake Assembly	90-25036	1
18	Not applicable this model	—	—
19	Not applicable this model	—	—
20	Not applicable this model	—	—
21	Not applicable this model	—	—
22	Not applicable this model	—	—
23	Not applicable this model	—	—
24	Not applicable this model	—	—
25	Not applicable this model	—	—
26	Not applicable this model	—	—
27	Drive Shaft Assembly	90-22254	1
28	Thrust Washer	90-12574	1
29	5/16 x 100 ft. Wire Rope w/o Hook	1580	1
30	Clevis Hook Assembly	94-20116	1
31	Inboard Drum Support	90-32168	1
32	Not applicable this model	—	—
33	3/8-16 Square Nut	90-23084-04	4
34	3/8 Flat Washer	92-23027-05	4
35	3/8 Lock Washer	92-23057-01	4
36	3/8-16 x 1 Hex Head Bolt, Grade 8	90-23226-01	4
37	1/4-20 x 3/4 Socket Head Cap Screw	90-23055-06	2
38	Drum Bearing	90-12575	1
39	Drum Driving Plate	90-22183	1
40	Output Ring Gear	90-32232-01	1

REPLACEMENT PARTS LIST

Reference Number	Description	Part Number	Qty
41	Ring Gear Bearing	90-22607	1
42	Carrier Bushing	90-10417	1
43	Planet Carrier Assembly	90-32238	1
44	Gearbox Bushing	90-10418	1
45	Plastic Closure	90-23171-05	2
46	8/32 x 3/8 Pan Head Screw	90-23032-17	1
47	Not applicable this model	—	—
48	Not applicable this model	—	—
49	Fixed Ring Gear	90-32233-01	1
50	Lock Pin	90-22252-01	1
51	Gearbox Housing (w/ 52, 56–58, 60 specify model no. when ordering)	90-32256	1
52	Warning/Clutch Operation Label (specify model no.)	90-22263	1
53	1/4-20 x 5/8 Self Tapping Hex Head Screw	90-23039-10	4
54	Clutch Lever	90-32248	1
55	#8 Int. Tooth Lock Washer	90-23048-03	1
56	Dust Cover	90-22103	1
57	Plug	90-23171-07	1
58	Rubber Washer	92-10194	2
59	Clutch Spring	90-23152-07	1
60	Push-On Retainer	90-23213-04	2
61	2 AWG x 16" Lead Wire Assembly (yellow)	90-22695-26	1
62	2 AWG x 13" Lead Wire Assembly (blue)	90-22695-25	1
63	2 AWG x 10" Lead Wire Assembly (white)	90-22695-27	1
64	10 AWG x 24" Lead Wire Assembly	90-22635-33	1
65	2 AWG x 8' Lead Wire Assembly (black)	90-22635-47	1
66	2 AWG x 8' Lead Wire Assembly (red)	90-22695-46	1
67	2 AWG Boot Terminal	90-23247-04	3
68	Handsaver nylon cord	87-31120	1
NS	7" Long Wire Tie	94-23058-04	6
NS	Grease (for one relube)	90-15020	1
NS	Motor Brush Repair Kit	90-10414-05	1
ACC	Roller Fairlead	2539	1
ACC	Pulley Block, 20,000 lbs.	7750A	1
ACC	Circuit Breaker Kit - 12 V	2232	1
ACC	Circuit Breaker Kit - 24 V	2232A	1

NS Not Shown
ACC Accessory

SOLENOID ASSEMBLY

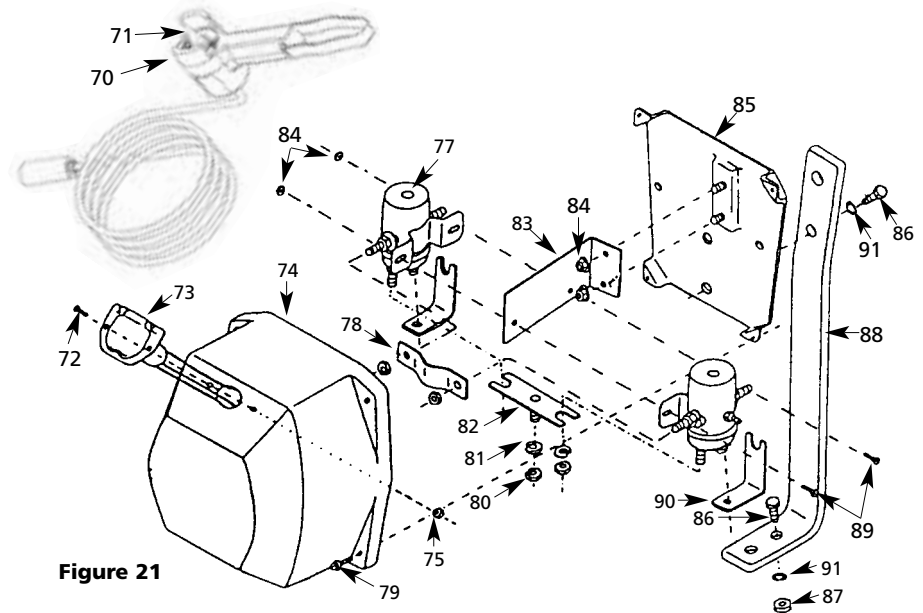


Figure 21

Reference Number	Description	Part Number	Qty
70	Remote Switch Pendant (15')	90-33450-01	1
71	Toggle Switch	90-14141	1
72	#8-32 x 3/4 Screw	90-23032-22	2
73	Connector Assembly w/ Wires	90-14140	1
74	Solenoid Cover (w/ Logo)	90-32187	1
75	#8-32 Hex Flanged Nut	90-23149-06	2
77	12VDC Solenoid	90-20329	2
	24VDC Solenoid	90-20331	2
78	Top Bus Bar	92-12383	1
79	8-32 x 1/2 Self Tapping Screw	92-23039-01	4
80	5/16-18 Hex Nut	92-23034-04	1
81	5/16 Lock Washer	92-23057-03	1
82	Front Buss Bar w/ Stud	92-12384	1
83	Solenoid Bracket	94-20118	1
84	10-32 Flange Nut	90-23149-01	4
85	Solenoid Base Plate w/ Studs	90-22627-02	1
86	1/4-20 x 3/4 Hex Head Bolt	90-23226-10	4
87	1/4-20 Hex Flange Nut	90-23149-02	4
88	Solenoid Pack Bracket	90-31027-02	1
89	10-32 x 1/2 Machine Screw	92-23125-01	2
90	Buss Bar #1	92-20126	1
91	1/4 External Tooth Lock Washer	90-23227-02	2
NS	X9 Logo	90-20065	1
NS	Control Pack, X9 12V (includes 72-85, 89, 90)	90-32271	1
NS	Control Pack, X9 24V (includes 72-85, 89, 90)	90-32272	1

TROUBLESHOOTING CHART

If a problem arises, contact your nearest Superwinch dealer or repair center.

Symptom	Possible Cause(s)	Corrective Action
Motor will not operate or runs in one direction only	<ol style="list-style-type: none"> 1. Damaged or stuck solenoid; most likely caused by not holding the inner nut to keep the stud from turning when attaching wire to solenoid 2. Switch inoperative 3. Broken wires or bad connection 4. Damaged motor 5. Solenoids not grounded 	<ol style="list-style-type: none"> 1. CAUTION: Disengage clutch before performing this test to prevent powering the wire rope drum. If a solenoid sticks once, it is likely to stick again and must be replaced immediately. Tap solenoid to free stuck contacts. Check by applying voltage to the small solenoid terminal. Be sure solenoid is grounded back to source. A solenoid that is not stuck will make an audible "click" when first energized 2. Replace Switch 3. Check for poor connections. CAUTION: Always use two wrenches (spanners). (See Figure 10) 4. Replace or repair motor 5. Check the ground path between battery negative and solenoid base
Winch will not shut off	<ol style="list-style-type: none"> 1. Solenoid stuck "on" 	<ol style="list-style-type: none"> 1. If solenoid sticks on, reverse direction and hold trigger switch on until the power lead can be disconnected. A safety on-off switch is available as an accessory
Motor runs extremely hot	<ol style="list-style-type: none"> 1. Long period of operation 2. Damaged motor 3. Damaged brake 	<ol style="list-style-type: none"> 1. Allow to cool 2. Replace or repair motor 3. Replace or repair brake
Motor runs but with insufficient power or line speed	<ol style="list-style-type: none"> 1. Weak battery 2. Battery to winch wire too long 3. Poor battery connection 4. Poor ground 5. Damaged brake 	<ol style="list-style-type: none"> 1. Recharge or replace battery. Check charging system 2. Use larger gauge wire 3. Check battery terminals for corrosion. Clean as required 4. Check and clean connections 5. Repair or replace brake
Motor runs but drum does not turn	<ol style="list-style-type: none"> 1. Clutch not engaged 	<ol style="list-style-type: none"> 1. Engage clutch
Winch runs backwards	<ol style="list-style-type: none"> 1. Motor wires reversed 2. Solenoids wired incorrectly 	<ol style="list-style-type: none"> 1. Recheck wiring 2. Recheck wiring
Will not hold load	<ol style="list-style-type: none"> 1. Excessive load 2. Worn or damaged brake 	<ol style="list-style-type: none"> 1. Reduce load or double line 2. Repair or replace brake

SUPERWINCH[®]

WARRANTY REPAIR CENTERS

USA

Superwinch Inc.
Winch Drive
Putnam, CT 06260
phone: 860-928-7787
repair@superwinch.com

Electric Motor Repair
2010 North 4th Street
Minneapolis, MN 55411
phone: 612-588-4693

Berens & Associates
124 Hegenberger Loop
Oakland, CA 94621
phone: 800-540-2858
berens94621@yahoo.com

Zorko's Alternator Service
241 Wells Road
Home, PA 15747
phone: 800-468-5055
zasapw@microserve.net

Electric Motors of Iowa City
50 Commercial Court
Iowa City, IA 52246
phone: 319-354-4040
emic4040@aol.com

CANADA

Demand Electric
228-39th St. N.E.
Calgary, AB T2E 2M5
403-230-2709

Harold Supply
3 Southerland Ave.
Sudbury, Ont. P3C 3A7
705-761-4455

Explora Industries Ltd.
9605-5th Ave.
Edmonton, AB T6E 0B2
780-430-8591

Dayworth Sales
1 Saunders Rd. Unit 2
Barrie, Ont. 9A7 9A7
705-726-7778

Les Equipment Twin
10401 Parkway Blvd.
Ville D'Anjou, PQ H1J 1R4
514-353-1190

Buffalo Industries
251-253 Princess Street
Winnipeg, Manitoba R2C 1M1
204-942-1951

Power Plus Tool Repair
57 Millenium Ave.
Moncton, NB E1E 2G2
560-855-8665

Muskoka Auto Parts
11 King William St.
Huntsville, Ont. P1H 2K8
705-789-2321

Lou Dennis Auto
Hiway 11 South
Sundridge, Ont. P0A 1Z0
705-384-5345

Outdoors Plus
128 Regional St.
P.O. Box 1349
Port Aux Basques, NF A0M 1C0
709-695-7533

Bobcaygeon Auto and Marine
91 Main St.
Bobcaygeon, Ont. K0M 1A0
705-738-2317

MAP Bracebridge
19 Taylor Rd.
Bracebridge, Ont. P1L 1W3
705-645-8785

MAP Fenelon Falls
165 Lindsay St.
Fenelon Falls, Ont. K0M 1N0
705-887-6232

Central Electric Motor Rewind
#1-1960 Windsor Rd.
Kelowna, BC V1Y 2Y3
250-860-4415
jnelsoncentral@netscape.net

Delta Tool Repair Limited
114-7533, 135th St.
Surrey, BC V3W 0N6
604-591-3230

Ted's Power Tool Repair
426-44th St. East
Saskatoon, SK S7K 0W1
306-934-6155

Bob's Electric Truck Service
845-B Macdonald Ave.
Regina, SK S4N 2X5
306-721-4148

Off Road Canada
251-12th St. "B" North
Lethbridge, AB T1H 2K8
403-327-7722

Gary's Starter & Alternator
P.O.Box 7 Site 4
RR 1 Mount Uniacke B0N 1Z0
Contact: Gary Thorne
902-757-2388

Power Blitz Mftg. & Maintenance
577 Edgeley Blvd. Unit 6
Concord, Ont. L4K 4B2
905-669-8209
ali@powerblitz.com

Bruce's Recreation
92 Balbo Dr.
Shoal Harbour Nfld A5A 4A8
709-466-3355

Atlantic Recreation & Marine
5 School St.
Sydney, Nova Scotia
B1S 3G1
902-567-1697
sbidart@thearm.ca

UNITED KINGDOM

Superwinch, LTD
Abbey Rise, Whitchurch road
Tavistock, Devon PL19 9DR
+44 (0) 1822 614101

WORLDWIDE Contact your Local Superwinch Distributor or call Superwinch.

SUPERWINCH**LIMITED WARRANTY****VALID WORLDWIDE****LIMITED WARRANTY**

Superwinch Inc. ("Seller") warrants to the original buyer ("YOU") all parts and components except wire rope to be free of defects in materials and workmanship for a period of ONE (1) year from provable date of purchase. Any Superwinch product which is defective will be repaired or replaced without charge to you, upon compliance with these procedures. The warranties set forth herein are exclusive and in lieu of all other warranties, whether oral or written, express or implied.

LIMITED WARRANTY PERFORMANCE PROCEDURE

Upon discovery of a defective Superwinch product, you shall mail to the Seller at his factory or to any Factory Authorized Service Center written notice of such defect and mail, ship or otherwise deliver the defective Superwinch, postage or shipping prepaid. Repairs or replacements by Seller under this Limited Warranty will normally be accomplished within fifteen (15) business days after receipt of the defective Superwinch. Seller or its Authorized Agents may make reasonable charges for parts and labor for repairs not covered by this Limited Warranty.

WARRANTY AND REMEDY LIMITATIONS AND EXCLUSIONS

Repair and/or replacement of the defective Superwinch or component part thereof as provided herein is the exclusive remedy for you. The following exclusions or limitations of warranties and limitations of remedies shall be expressly applicable:

A. Express Warranties. Seller Warrants that the Superwinch is as described in the "Superwinch Owner's Manual" provided herewith; no other express warranty is made in respect to the Superwinch. If any model or sample was shown to you, such model or sample was used for illustrative purposes only, and shall not be construed as a warranty that the Superwinch will conform to the sample or model. SELLER MAKES NO EXPRESS WARRANTY WITH RESPECT TO THE WIRE ROPE INCORPORATED IN THE PRODUCT.

B. Implied Warranty. The implied warranty of merchantability and all other implied warranties shall only extend from the provable date of purchase for one (1) year. The wire rope is sold "as is," without any implied warranties. Some states within the U.S.A. do not allow limitations on how long an implied warranty lasts, so the above limitation may not apply to you.

C. Incidental and Consequential Damages. SUBJECT TO THE SELLER'S LIMITED WARRANTY OBLIGATIONS SET FORTH HEREIN, SELLER SHALL NOT BE RESPONSIBLE FOR INCIDENTAL DAMAGES OF ANY KIND, OR FOR CONSEQUENTIAL DAMAGES TO PROPERTY, LOSS OF PROFITS AND LOSS OF USE WHICH MAY BE CAUSED BY ANY DEFECT IN, OR MALFUNCTION, OR FAILURE OF THE ENCLOSED SUPERWINCH. SOME STATES WITHIN THE USA DO NOT ALLOW THE EXCLUSION OR LIMITATION OF INCIDENTAL OR CONSEQUENTIAL DAMAGES, SO THE ABOVE LIMITATION OR EXCLUSION MAY NOT APPLY TO YOU.

D. Condition of Warranty. Seller shall not be required to comply with its warranty duties provided herein if the defect, malfunction, or failure of the Superwinch was caused by damage (not resulting from defective or malfunctioning components) or unreasonable use by you. Unreasonable use shall include, but not be limited to, the failure to provide reasonable and necessary maintenance or installation or use of the Superwinch without compliance with the instructions contained in the Superwinch Owner's Manual, and subjecting the Superwinch to loads in excess of the load listed in the Owner's Manual for the particular model number. Seller's liability under this warranty or for any loss or damage to the Superwinch product shall not exceed the cost of correcting the defects in or replacing the Superwinch product, and upon expiration of the warranty period, all such liability shall terminate. The agents, dealers and employees of the Seller are not authorized to make modifications to this warranty, or additional warranties binding on the Seller. Accordingly, additional statements, whether oral or written, do not constitute warranties and should not be relied upon.

LEGAL REMEDIES OF BUYER

This Limited Warranty gives you specific legal rights, and you may also have other rights which may vary from state to state within the USA and from country to country. You also have implied warranty rights. In the event of a problem with Limited Warranty service or performance, you may be able to go to small claims court, a state court, or federal district court in the USA or to appropriate jurisdictions outside the USA.

INQUIRIES

Any inquiries regarding compliance with warranties provided herein may be addressed in writing to: Superwinch Inc., Winch Drive, Putnam, CT 06260, USA or to: Superwinch Ltd., Abbey Rise, Whitchurch Road, Tavistock, Devon PL 19 9DR, England.

SUPERWINCH®**MANUAL DEL PROPIETARIO**

INSTALACIÓN • OPERACIÓN • MANTENIMIENTO
PRECAUCIONES DE SEGURIDAD • PIEZAS DE REPUESTO

**Cabrestante eléctrico X9
de 12 y 24 Voltios CD
Modelos 1901 y 1902**

▲ PRECAUCION

**LEA Y ENTIENDA ESTE MANUAL ANTES
DE INSTALAR Y OPERAR SU PRODUCTO SUPERWINCH.**

Superwinch, Inc.
Winch Drive
Putnam, CT 06260
U.S.A.
Tel. (860) 928-7787
Fax (860) 963-0811

Superwinch, Ltd.
Abbey Rise, Whitchurch Road
Tavistock, Devon PL 19 9DR
England
Tel. +44 (0) 1822 614101
Fax +44 (0) 1822 615204

INTRODUCCIÓN

Gracias por comprar un cabrestante X9 de Superwinch. Éste ha sido diseñado y fabricado para proporcionarle años de operación sin problemas. Esperamos que esté satisfecho con su rendimiento. Si no lo está por cualquier motivo, por favor comuníquese con nuestro Departamento de Servicio al Cliente al: (860) 928-7787 en E.U.A.; + 44 (0) 1822 614101 en Inglaterra.

Cuando solicite información o piezas de repuesto, siempre dé la siguiente información:

1. Número de Pieza del cabrestante (1901, 1902)
2. Número de Serie (se encuentra en la pieza de fundición del adaptador del motor)
3. Número de Pieza (se encuentra en la Lista de piezas de repuesto)
4. Descripción de la Pieza

Por favor lea y entienda este Manual del propietario antes de instalar su cabrestante. Ponga particular atención a la Información General de Seguridad. Su cabrestante es una máquina muy poderosa. Si se usa sin precaución o inadecuadamente, existe la posibilidad de causar daños a bienes o lesiones personales. Hemos incluido varias características en el cabrestante para reducir esta posibilidad. No obstante, su seguridad depende en última instancia en su precaución al usar este producto.

PELIGRO

Indica una situación de peligro inminente que, de no evitarse, dará como resultado muerte o lesiones graves.

ADVERTENCIA

Indica una situación de peligro potencial que, de no evitarse, podría dar como resultado muerte o lesiones graves.

PRECAUCION

Indica una situación de peligro potencial que, de no evitarse, puede dar como resultado lesiones leves o moderadas. Esta nota se utiliza también para alertarle sobre prácticas inseguras.

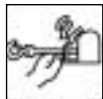
Se usan los siguientes símbolos en el producto y en el Manual del Propietario:



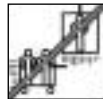
Leer el Manual del Propietario



Siempre use la barra protectora para manos



Manténgase alejado del cabrestante, el cable de alambre y el gancho durante la operación



Nunca use el cabrestante para levantar o mover personas



Nunca use el cabrestante para sostener cargas

Nota: Indica información adicional en los procedimientos de instalación y operación de su cabrestante.

La instalación correcta de su cabrestante X9 es un requisito para su operación correcta. Si piensa instalar su cabrestante X9 en el extremo delantero de su vehículo, **use el juego de montaje (adaptación) X9** que ha sido diseñado y manufacturado por Superwinch para recibir su cabrestante y adaptarse a su vehículo.

Por favor tome nota: El cabrestante Superwinch modelo X9 está diseñado principalmente para usarse montado al frente de un vehículo y para otro servicio intermitente de uso general. Este cabrestante no está diseñado para usarse en aplicaciones de grúa ni Superwinch garantiza que sea idóneo para tal uso. Para mayor información, por favor comuníquese con nuestro Departamento de Servicio al Cliente.

Tome nota de los requisitos eléctricos del cabrestante X9 que compró:

Núm. de pieza 1901 Sistema de CD 12 Voltios Solamente.

Núm. de pieza 1902 Sistema de CD 24 Voltios Solamente.

¡Felicidades por su elección!

Unión Europea



RUIDO El nivel de ruido de este cabrestante en operación está por debajo de los 92 dB (A).

CABLE DE ALAMBRE - Los cabrestantes que cumplen con la Directiva de Maquinaria 89/392/EEC, están equipados con un cable de alambre de 3/8" x 75" (Número de pieza 90-20136-03), en lugar del cable de alambre estándar de 5/16" x 100".

PARADA DE EMERGENCIA Para cumplir con la Directiva de Maquinaria 89/392/EEC, todas las instalaciones de máquinas deben estar equipadas con un aislador (Número de pieza 1562) con el cual se pueda detener la máquina completamente con seguridad.

Superwinch no es responsable de errores de impresión hechos inadvertidamente durante la producción de este manual

CAPACIDADES DE CARGA RODANTE*

Pendiente**	10% (6°)	20% (11°)	30% (17°)	60% (31°)	100% (45°)
Lbs.	45,225	30,600	23,500	15,000	11,575
kg	20514	13880	10659	6804	5250

* Las especificaciones asumen un 10% de coeficiente de fricción.

** Una pendiente de 10% es una elevación de 30.5 cm en 3.05 m (1 pie en 10 pies) También muestra una pendiente en grados aproximados.

DESEMPACADO

Esta caja contiene los siguientes artículos. Por favor desempáquelos cuidadosamente. **Lea las instrucciones antes de comenzar.**

Descripción	Cantidad
Conjunto del cabrestante con cable de alambre	1
Conjunto del solenoide	1
Soporte de montaje del solenoide	1
Tornillos de cabeza hexagonal de 1/4"-20	4
Tuercas hexagonales de 1/4"-20	2
Rondana de corona de 1/4"	4
Terminales de casquillo	3
Tuercas cuadradas de 3/8"-16	4
Rondanas de presión de 3/8"	4
Tornillos de cabeza hexagonal, grado 8 de 3/8"-16 x 1"	4
Barra protectora para manos	1
Tiras para atar cables de 17.78 cm (7")	6
Conjunto de cables conductores largos (codificados negro)	1
Pendiente remoto	1
Gancho de horquilla	1
Manual del propietario	1

CARACTERÍSTICAS

Motor eléctrico – De 4.2 hp pico (3.1 kw) Embobinado Serie 12V o 3.5 hp pico (2.6 kw) Embobinado Serie 24V.

Frenado – El freno de arrastre de una dirección retendrá una carga de 2,041 kg (4,500 lb) en la primera capa.

Tambor – Acero maquinado que gira sobre rodamientos de copolímero sin mantenimiento.

Embrague de carrete libre – Operado por una palanca de acción fácil que desempaca el motoreductor para permitir que

el cable de alambre sea sacado sin usar corriente eléctrica. Un mecanismo de arrastre con resorte reduce el latigazo y el tironeo cuando se tira del cable de alambre.

Interruptor remoto – 4.5 m (15') Conjunto de interruptor de mano tipo pendiente.

Montaje – Se ofrecen juegos de montaje opcionales, diseñados a la medida, para instalaciones sobre el chasis del vehículo.

SERVICIO INTERMITENTE

Un cabrestante eléctrico es como cualquier otra herramienta eléctrica, como por ejemplo un taladro o una sierra. No se debe permitir que el motor eléctrico se caliente excesivamente. Las precauciones normales extenderán la vida de su motor. Mantenga la duración de los tiros tan breve como sea posible.

Si el extremo del motor se calienta de modo que resulte incómodo tocarlo, deje de operar el cabrestante y permita que el motor se enfríe.

PRECAUCION Si el motor del cabrestante entra en pérdida, no siga aplicándole energía.

RENDIMIENTO

Capa del Cable de Alambre	Capacidad Máxima de Tiro lb	kg
1	9,000	4082
2	7,365	3340
3	6,230	2825
4	5,400	2450
5	4,765	2161

Carga lb	kg	Velocidad* 12 Voltios		Velocidad* 24 Voltios		Corriente del Motor Amps*	
		ft/min	m/min	ft/min	m/min	12V	24V
0	0	38.2	11.6	38.0	11.6	73	42
1,000	454	18.0	5.5	21.7	6.6	130	72
2,000	907	13.8	4.2	17.1	5.2	165	90
4,000	1814	9.0	2.7	12.0	3.6	240	133
6,000	2722	6.0	1.8	8.3	2.5	316	181
9,000	4082	2.5	0.8	3.5	1.0	420	252

ESPECIFICACIONES

Carga de trabajo* 4082 kg (9,000lbs)
 Carga de pérdida 12 v*, 24 v* . . 5760 kg (12,700 lbs.)
 Cable de alambre (5/16" x 100')

Motor 12 v 4.2 hp (3.1 kW) pico
 Motor 24 v 3.5 hp (2.6 kW) pico
 Relación de engranes 253:1

*En base el rendimiento de la primera capa

INFORMACIÓN GENERAL DE SEGURIDAD

Su cabrestante X9 es una máquina muy poderosa. Trátelo con respeto, úselo con precaución y siempre siga los lineamientos de seguridad.

ADVERTENCIA La responsabilidad para la instalación y operación seguras del cabrestante y la prevención de lesiones personales y daños a la propiedad es, en última instancia, suya, el operador. No existe sustituto para el buen juicio y la precaución al operar el cabrestante.

ADVERTENCIA El cable de alambre puede romperse antes de que el cabrestante entre en pérdida. Para cargas pesadas, use un bloque de poleas para reducir la carga sobre el cable de alambre.

1. El X9 tiene una clasificación de 4,082 Kg (9,000 lb)(línea sencilla) en la capa de cable más cercana al tambor. NO LO SOBRECARGUE. NO TRATE DE TIRAR CARGAS PESADAS DE FORMA PROLONGADA. No mantenga encendido el cabrestante si el motor entra en pérdida. Las sobrecargas pueden dañar el cabrestante y/o el cable de alambre y causar condiciones de operación inseguras. PARA CARGAS MAYORES DE 2,721 KG (6,000 LIBRAS), RECOMENDAMOS EL USO DEL BLOQUE DE POLEAS OPCIONAL PARA DUPLICAR EL CABLE DE ALAMBRE (Figuras 1 y 14). Esto reduce la tensión sobre el cabrestante y la carga sobre el cable de alambre en un 50% aproximadamente. Si lo monta en la parte trasera del vehículo, sujételo al chasis u otra parte que soporte carga. **El motor del vehículo**

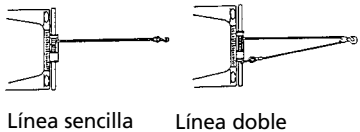


Figura 1

debe estar funcionando durante la operación del cabrestante para reducir la descarga de la batería y aumentar la potencia y velocidad del cabrestante. Si se activa el cabrestante durante periodos considerables de tiempo con el motor apagado, la batería podría descargarse, y ya no podría arrancar el motor.

2. DESPUÉS DE LEER Y ENTENDER ESTE MANUAL, APRENDA A USAR SU CABRESTANTE. Después de instalar el cabrestante, practique usándolo para familiarizarse con su operación cuando surja la necesidad de usarlo.



3. NO «mueva» su vehículo para ayudar al cabrestante a tirar de la carga. La combinación del cabrestante y el vehículo tirando a la vez puede sobrecargar el cable de alambre y el cabrestante.

4. MANTENGA EL ÁREA DE MANIOBRAS LIBRE DE OBSTRUCCIONES. No permita que haya personas en el área durante las operaciones de tiro. SIEMPRE MANTÉNGASE ALEJADO DEL CABLE DE ALAMBRE, EL GANCHO Y EL CABRESTANTE. EN EL REMOTO CASO DE FALLA DE CUALQUIER COMPONENTE, ES MEJOR ESTAR LEJOS DEL PELIGRO.

5. INSPECCIONE FRECUENTEMENTE EL CABLE DE ALAMBRE Y EL EQUIPO. UN CABLE DE ALAMBRE DESHILACHADO CON HILOS ROTOS DEBE REEMPLAZARSE INMEDIATAMENTE. Siempre reemplace el cable de alambre con la pieza de repuesto idéntica del fabricante (ver la lista de piezas de repuesto). Revise periódicamente la instalación del cabrestante para asegurarse que todos los tornillos estén firmes.

6. USE GUANTES DE CUERO PESADOS al manejar el cable de alambre. NO DEJE QUE EL CABLE DE ALAMBRE SE DESLICE EN SUS MANOS NI AÚN CUANDO USE GUANTES.

INFORMACIÓN GENERAL DE SEGURIDAD (CONT.)

7. NUNCA USE EL CABRESTANTE CON MENOS DE 5 VUELTAS DE CABLE DE ALAMBRE EN EL TAMBOR DE CABRESTANTE, ya que el sujetador del extremo del cable de alambre NO RESISTIRÁ la carga. El cable de alambre de su cabrestante X9 tiene un «indicador de advertencia» rojo en cada extremo. El «indicador de advertencia» del extremo del cabrestante le advierte que el cable de alambre está en la vuelta 5 o cerca de ella. El «indicador de advertencia» del extremo del gancho del cable de alambre le advierte que el gancho está acercándose al cabrestante. SIEMPRE USE LA PROTECTORA PARA MANOS cuando guíe el cable de alambre hacia adentro o afuera (ver la Figura 2). Al usar su cabrestante, la pintura roja se desgastará con el uso normal. Cuando esto suceda, renueve la pintura roja ya que ésta es una característica de seguridad del cabrestante.

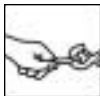


Figura 2

8. MANTÉNGASE ALEJADO DEL CABRESTANTE, EL CABLE TENSO Y EL GANCHO AL OPERAR EL CABRESTANTE. Nunca introduzca su dedo a través del gancho. Si su dedo queda atrapado en el gancho, podría perderlo. **Nunca guíe el cable hacia el tambor con la mano.**

9. NUNCA ENGANCHE EL CABLE DE ALAMBRE SOBRE SÍ MISMO PORQUE PODRÍA DAÑARLO. Use una eslinga de nilón (Figura 3).

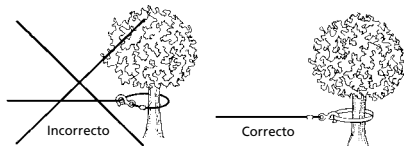
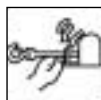


Figura 3

10. Es una buena idea poner una frazada pesada o abrigo sobre el cable de alambre cerca del extremo del gancho al tirar de cargas pesadas (Figura 4). Si falla el cable de alambre, la tela actuará como atenuador y evitará que el cable de alambre latiguee. Levante la capota del motor del vehículo para aumentar la protección.

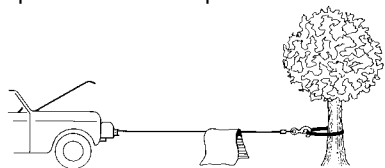


Figura 4

11. NUNCA USE SU CABRESTANTE PARA LEVANTAR O MOVER GENTE.



12. Su cabrestante no ha sido diseñado para operaciones de izado.

13. EVITE TIRAR CONTINUAMENTE DESDE ÁNGULOS EXTREMOS, ya que esto causará que el cable de alambre se apile en un extremo del tambor (Figura 5). Esto puede atorar el cable de alambre en el cabrestante, dañando tanto el cable de alambre como el cabrestante.

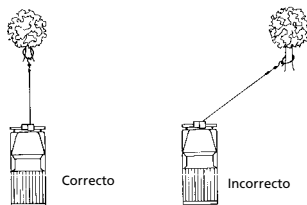
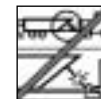


Figura 5

INFORMACIÓN GENERAL DE SEGURIDAD (CONT.)

14. NUNCA TAPE LAS ETIQUETAS DE INSTRUCCIONES DE ADVERTENCIA.
15. Siempre opere el cabrestante teniendo una vista sin obstrucciones del área de maniobras.
16. Los equipos como aparejos, ganchos, bloques de poleas, tirantes, etc., deben ser del tamaño de la tarea de tiro y debe inspeccionar periódicamente que no tengan daños que puedan reducir su resistencia.
17. NUNCA SUELTE EL EMBRAGUE DE CARRETE LIBRE CUANDO HAYA UNA CARGA EN EL CABRESTANTE.
18. GUARDE EL CONJUNTO DEL PENDIENTE REMOTO EN UN LUGAR SEGURO cuando no lo use, para evitar que lo usen los niños u otras personas sin autorización que puedan lesionarse a sí mismas o a los demás.
19. NO OPERE EL CABRESTANTE BAJO LA INFLUENCIA DE DROGAS, ALCOHOL O MEDICAMENTOS.
20. SIEMPRE DESCONECTE DEL PENDIENTE REMOTO ANTES DE TRABAJAR EN EL ESCOBÉN CON DE RODILLOS O EL TAMBOR DEL CABRESTANTE O A SU ALREDEDOR (LA ZONA DE PELIGRO), para que el cabrestante no se pueda encender accidentalmente.
21. Cuando mueva una carga, recoja con cuidado el exceso de cable de alambre hasta que esté tenso. Deténgase, vuelva a verificar todas las conexiones de tiro. Asegúrese de que el gancho esté bien asentado. Si se usa una eslinga de nilón, revise la sujeción a la carga.
22. Cuando use su cabrestante para mover una carga, ponga la transmisión de su vehículo en neutral, ponga el freno de mano y bloquee todas las ruedas.

23. NO USE EL CABRESTANTE PARA RETENER CARGAS EN UN SÓLO SITIO. Use otros medios para asegurar cargas, como tirantes para atar. Superwinch ofrece una amplia variedad de ataduras. Comuníquese con su distribuidor local Superwinch.



24. SÓLO USE INTERRUPTORES, CONTROLES REMOTOS Y ACCESORIOS APROBADOS POR LA FÁBRICA. El uso de componentes no aprobados por la fábrica puede ocasionar lesiones o daños a bienes y puede anular su garantía.
25. NO MAQUINE NI SUELDE PARTE ALGUNA DEL CABRESTANTE. Tales alteraciones pueden debilitar la integridad estructural del cabrestante y pueden anular su garantía.
26. Para evitar sobrecalentar el motor, no opere el cabrestante durante más de 2 minutos.

⚠ PELIGRO *El tambor y el cable pueden calentarse mucho (Figura 6).*

27. NO CONECTE EL CABRESTANTE A LA CORRIENTE RESIDENCIAL DE 110 ó 220 VCA, YA QUE SE PUEDE QUEMAR EL CABRESTANTE O ¡RECIBIR UN CHOQUE ELÉCTRICO FATAL!
28. Nunca permita que se apliquen cargas de choque al cabrestante o al cable de alambre.

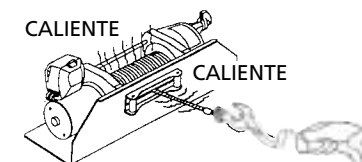
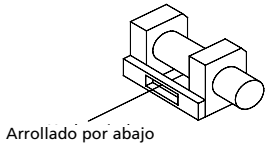
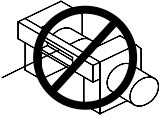


Figura 6

29. Siempre recuerde que su cabrestante debe operarse con el cable de alambre en una orientación de arrollado por abajo en el tambor de cable de alambre.



Arrollado por abajo



Arrollado por arriba

INSTALACIÓN

MONTAJE DE SU CABRESTANTE

Se ofrecen juegos de montaje (adaptación) de Superwinch para la mayoría de los vehículos más populares. Si usted no puede localizar un juego localmente, comuníquese con Superwinch a la dirección anotada al frente de este manual para obtener el nombre del distribuidor Superwinch más cercano.

Se proporcionan instrucciones de montaje detalladas con cada juego de montaje. Lea y siga las instruc-

Notas:

1. Todas las dimensiones están en pulgadas.
2. El cabrestante se monta con herrajes de 3/8" - 16 (M10). Si usa una placa base de 1/4" (6.4) de espesor, el largo de los tornillos debe ser de 1 pulgada (25.4). Los tornillos deben ser SAE, Grado 8 (ISO 10.9) o más fuertes.
3. Use solamente tuercas cuadradas en la pieza fundida para la instalación. Vea la fig.9

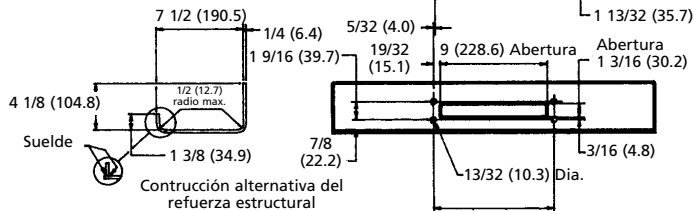


Figura 7

ciones cuidadosamente para asegurar la alineación correcta del cabrestante y su operación sin problemas.

Si no se usa una placa de montaje Superwinch, consulte en la Figura 7 la guía para construir un sistema de montaje.

Nota: El cabrestante puede montarse con la pata hacia abajo o hacia adelante. Vea los detalles en la página 33. La posición de montaje preferida es con la pata hacia adelante. Este cabrestante DEBE montarse con el cable de alambre en la dirección de desenrollado por abajo.

⚠ ADVERTENCIA Un montaje inadecuado podría dañar su cabrestante, anular la garantía y causar lesiones personales.

REQUISITOS ELÉCTRICOS MÍNIMOS

La capacidad mínima recomendada de las fuentes de energía para un cabrestante de 12 voltios, es un alternador de 60 amperes y una batería con 440 amperes de arranque en frío. Si el cabrestante tiene uso pesado, se recomiendan una batería auxiliar y un alternador de servicio pesado con aislador de batería.

HERRAMIENTAS REQUERIDAS

Llaves abiertas (españolas):
*(2) 3/8", *(2) 1/2", *(2) 7/16" y *(2) 9/16"

(1) Dado de 1/4" o destornillador de punta plana

* Se pueden sustituir por llaves ajustables (pericas)

1. Instale el juego de montaje o el soporte estructural para el cabrestante.
2. Cambie la orientación de la pata (si se requiere). Ver la página 11.
3. Conecte el cable largo codificado negro y el cable de tierra del paquete del solenoide a la caja del motor. Monte el cabrestante a la base del juego de montaje o al montaje que usted destinó para el efecto (ver la Figura 7).

Los tornillos de montaje de 3/8"-16 incluidos son del largo correcto para usarse con la placa de montaje Superwinch de 1/4" de espesor.

⚠ PRECAUCIÓN El extremo de los tornillos de montaje no debe tocar el lado opuesto de las cavidades de montaje del soporte fundido (ver la Figura 8).

Si hay contacto, puede dañar la pieza de fundición, causar una falla catastrófica del cabrestante y puede anular la garantía. Ajuste el largo de los tornillos si se usa una placa de mayor espesor. La rosca del tornillo debe atornillarse a lo largo de toda la rosca de la tuerca. Coloque siempre las tuercas cuadradas (incluidas) en las cavidades de la pieza de fundición al montar su cabrestante.

⚠ ADVERTENCIA No sustituya por tornillos de grado más débil que Grado 8 de SAE (ISO 10.9). La marca de grado se encuentra en la cabeza del tornillo y se muestra en la Figura 8.

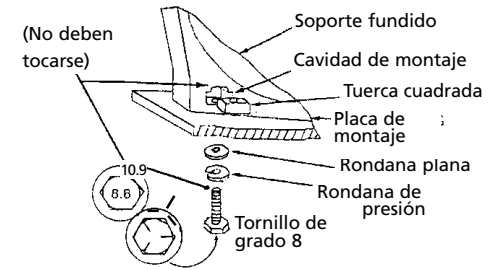


Figura 8

4. Monte el paquete del solenoide a su soporte con los tornillos de 1/4"-20 incluidos (Vea la Figura 22). No monte el soporte a la placa de montaje en este momento.
5. Vuelva a revisar todas las conexiones de los cables que usted acaba de hacer para asegurarse que estén correctas. Si está usando la placa de montaje Superwinch, atornille el soporte del solenoide a la placa de montaje con los tornillos, rondanas de corona y las tuercas incluidas. **Nota:** Si no se usa una placa de montaje Superwinch, el paquete del solenoide deberá montarse de manera que proporcione una ruta de tierra eléctrica desde la caja del solenoide a la terminal negativa de la batería. El cabrestante no funcionará sin esta ruta de tierra. Si decide reubicar el paquete del solenoide o el cabrestante a una distancia mayor de la que permitan los cables incluidos, es posible que tenga que comprar cable de mayor calibre para obtener el mejor desempeño del cabrestante. Si el largo total excede los 3 m (10 ft), use un cable de mayor calibre.
6. Desconecte los conductores de la batería del vehículo.

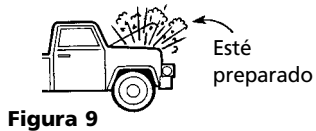


Figura 9

⚠ PELIGRO Las baterías automotrices contienen gases inflamables y explosivos. Use protección para los ojos durante la instalación y quítese toda la joyería metálica. No se incline sobre la batería al hacer las conexiones (ver la Figura 11).

7. Dirija los cables largos codificados rojo y negro a la batería. Para garantizar que no se desgaste el aislante de los cables ni haya cortes, aplique varias capas de cinta eléctrica aislante donde el cableado pueda rozar contra piezas metálicas afiladas del vehículo. Conecte el cable codificado rojo a la terminal positiva de la batería y vuelva a conectar la terminal a la batería.

Si su vehículo está equipado con terminales laterales, es posible que tenga que obtener tornillos auxiliares para terminales laterales de su refaccionaria local para hacer estas conexiones.

8. Levante la posición de la palanca del embrague a la posición «Free» (Libre). Jale hacia afuera varios pies de cable de alambre del tambor. Coloque nuevamente la palanca del embrague en posición «Engaged» (Engranado). Enchufe el control de pendiente remoto. Ponga el control deslizante a la posición «Cable Out» (Sacar Cable). Deslizar la palanca a la posición "Rope-Out" (Cable hacia fuera) para verificar la dirección de rotación del tambor del cable de alambre. Si el tambor o gira en la dirección equivocada, revise nuevamente la instalación de los cables.

⚠ PRECAUCIÓN Para evitar el uso no autorizado del cabrestante, quite el control pendiente y almacénelo en un lugar limpio y seco, como la guantera.

En algunos casos podría ser apropiado instalar dispositivos de protección de circuitos adicionales (cortacircuitos). En caso de duda, busque el consejo experto adecuado. Superwinch recomienda que todos los sistemas eléctricos del cabrestante puedan ser aislados fácilmente y rápidamente de su alimentación eléctrica en el caso de una emergencia. El sistema eléctrico del cabrestante siempre debería estar aislado cuando el cabrestante no está en uso.

OPERACIÓN DEL PENDIENTE

El interruptor pendiente de mano activa un solenoide que le aplica corriente al motor del cabrestante.

Para conectar el control del pendiente, levante la tapa del receptáculo del enchufe e inserte el extremo del enchufe del interruptor remoto. La clavija del cable de control del pendiente está codificada y entrará en el enchufe solamente en una dirección.

El gatillo interruptor vuelve a la posición «Off» (Apagado) cuando se lo suelta. Para cambiar de dirección, mueva la palanca articulada en la otra dirección.

⚠ PRECAUCIÓN El conjunto del interruptor debe mantenerse libre de tierra y humedad para garantizar una operación segura.

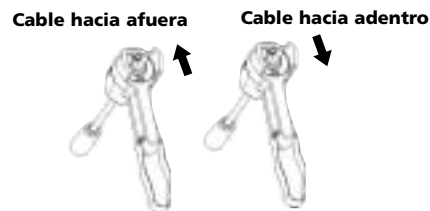


Figura 10

CÓMO SACAR EL CABLE DE ALAMBRE

El cable de alambre ha sido instalado en su cabrestante en la fábrica bajo carga mínima. El cable de alambre debe ser enrollado al tambor bajo carga de modo que las capas exteriores no se inserten a las interiores, dañándose.

Levante la palanca de embrague a la posición «Free» (Libre) como se muestra en la Figura 11. Si hay una carga en el cable de alambre, es posible que la palanca de embrague no gire fácilmente. NO FUERCE LA PALANCA DE EMBRAGUE. Suelte la tensión sobre el cable de alambre, sacando lentamente un poco de cable de alambre. Suelte el embrague, saque el cable de alambre y asegúrelo al anclaje o a la carga. Revise que queden por lo menos cinco (5) vueltas de cable de alambre en el tambor. Vuelva a embragar el tambor devolviendo la palanca de embrague a la posición de «Engaged» (Engranado) (ver la Figura 11).

⚠ PRECAUCIÓN La palanca debe estar en la posición de «Engranado» y estar cerrada antes de operar el cabrestante.

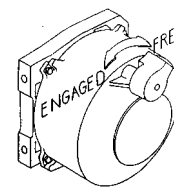


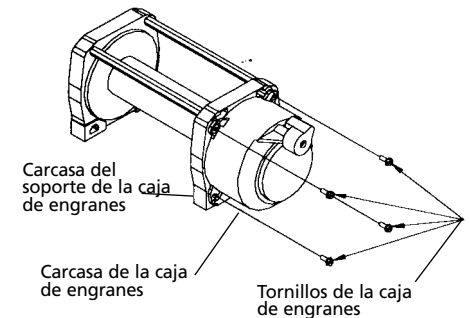
Figura 11

INSTRUCCIONES PARA CAMBIAR LA CONFIGURACIÓN DEL CABRESTANTE

El cabrestante X9 puede usarse en cualquiera de las configuraciones de pata hacia abajo o pata hacia adelante. Para una operación cómoda, la carcasa de la caja de engranes puede girarse para colocar la palanca

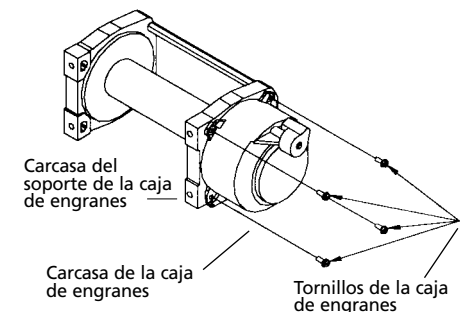
del embrague en la parte superior del cabrestante. Para cambiarla de posición, quite los (4) tornillos que retienen la carcasa de la caja de engranes contra su soporte. Gire la carcasa de la caja de engranes a la posición en la que quiera que quede la palanca del embrague. Vuelva a poner los (4) tornillos.

⚠ PRECAUCIÓN Tenga cuidado de mantener la carcasa de la caja de engranes contra la caja del soporte mientras los (4) tornillos estén flojos o no estén puestos. Esto evitará que se suelten las piezas dentro de la caja de engranes.



Configuración con la pata hacia abajo

Figura 12



Configuración con la pata hacia adelante

Figura 13

CONSEJOS PARA INCREMENTAR LA VIDA ÚTIL DE SU CABRESTANTE

1. **MANTENGA EL CABLE DE ALAMBRE ARROLLADO FIRME EN EL TAMBOR.** No permita que se afloje el cable de alambre. Un tambor arrollado flojamente permite que el cable de alambre tenso baje por las capas de cable de alambre del tambor. Cuando esto sucede, el cable de alambre puede deformarse como cuña dentro del cuerpo del enrollado dañándose. Para evitar este problema, mantenga siempre el cable de alambre enrollado firme y uniformemente en el tambor en todo momento. Una buena práctica es enrollarlo bajo tensión después de cada uso. Una manera de hacerlo es sujetar el gancho a un objeto estacionario hasta arriba de una pendiente gradual y tirar de su vehículo hacia arriba en la pendiente.
2. **NO PERMITA QUE EL MOTOR DEL CABRESTANTE SE SOBRECALIENTE.** Recuerde, el cabrestante está diseñado sólo para uso intermitente. El motor se calentará durante sesiones de tiro largas o pesadas. Las piezas internas estarán más calientes que la caja. Para revisar la temperatura del motor, detenga el tiro y toque cuidadosamente la caja del motor. Si no se puede tocar cómodamente el motor, deje que se enfríe antes de continuar. **MANTENGA ENCENDIDO EL MOTOR DEL VEHÍCULO PARA RECARGAR LA BATERÍA DURANTE ESTA PAUSA.**
3. Para aumentar al máximo la vida del cabrestante y del cable de alambre, use un bloque de poleas para tirar con línea doble las cargas más pesadas (Figura 14).

4. El tirón requerido para comenzar a mover una carga a menudo es mucho mayor que el que se requiere para mantenerla en movimiento. **EVITE PARADAS Y COMIENZOS FRECUENTES DURANTE EL TIRO.**
5. **EVITE TORCEDURAS ANTES DE QUE OCURRAN.**

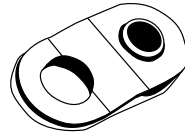


Figura 14

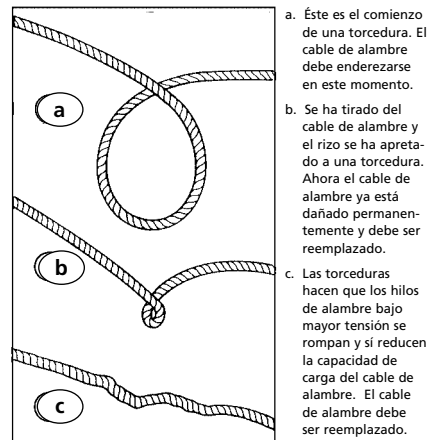


Figura 15

6. **EQUIPAR EL CABRESTANTE CON UN ESCOBÉN CON RODILLOS** reducirá sustancialmente el desgaste del cable de alambre durante sesiones de tirado en ángulo (Figura 16). Los rodillos eliminan el roce pesado y las abrasiones sufridas por el cable de alambre.



Figura 16

MANTENIMIENTO

Revise periódicamente la firmeza de los tornillos de montaje y las conexiones eléctricas. Quite toda la tierra o corrosión que se haya acumulado en las conexiones eléctricas.

Las reparaciones debe hacerlas sólo los centros autorizados de reparaciones Superwinch. No trate de desarmar el motoreductor. Si lo hace, anulará la garantía.

LUBRICACIÓN

El motoreductor y el cojinete del tambor están lubricados permanentemente con un lubricante de engranajes de alto rendimiento. Si necesita volver a lubricarlo (luego de una reparación o desarmado), sólo use la grasa aprobada por la fábrica (Nº de pieza Superwinch 90-15020).

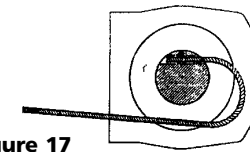


Figure 17

REEMPLAZO DEL CABLE DE ALAMBRE

Nunca sustituya por un cable de mayor o menor capacidad. Nunca use cable hecho de ningún otro material que no sea alambre.

Siempre reemplace el cable de alambre con la pieza de repuesto idéntica del fabricante (ver la lista de piezas de repuesto). Pase el extremo de sujeción del cable de alambre por el escobén (si lo tiene) y sujételo al tambor. Al insertar el cable de alambre al tambor, inserte el extremo correcto al orificio provisto (Figura 17). Apriete bien el tornillo prisionero.

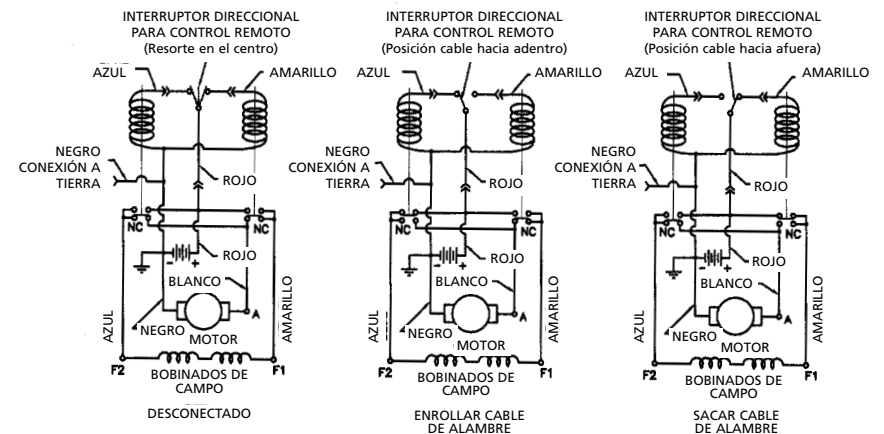


Figura 18

Es importante que el cable de alambre esté firmemente arrollado al tambor. Una buena manera de hacerlo es sujetar el gancho del cable de alambre a un punto fijo en una pendiente ligera y arrollarlo tirando del vehículo.

OPERACIÓN DEL FRENO

Su cabrestante X9 tiene un freno de arrastre que detiene y retiene cargas de hasta 2,041 kg (4,500 lb) en la primera capa del cable de alambre más cercana al tambor. Cada capa adicional de cable de alambre reduce la capacidad de frenado en un 10% aproximadamente. Al meter el cable de alambre con el motor, el freno no está activo y no se activa sino hasta que se apaga el motor y la carga trata de sacar el cable de alambre del tambor. Cuando se apaga el cabrestante, como al soltar una carga, el freno se activa y el motor deberá sobreponeerse a la resistencia del freno para girar el tambor. Por lo tanto, es normal que el cabrestante opere más rápidamente en una dirección que en la otra. El freno se ha diseñado para que el cable de alambre se use sólo en la posición de enrollado por debajo. **NO LO ENROLLE POR ENCIMA.** El tambor debe girar hacia la derecha viendo desde el extremo del motor, cuando tire hacia adentro. Tirar contra el freno hará que se acumule el calor en el tambor y es posible que éste se transmita al cable de alambre (Figura 19). **NO SAQUE CABLE CON EL MOTOR POR MÁS DE 6 METROS (20 PIES) O POR 2 MINUTOS.**

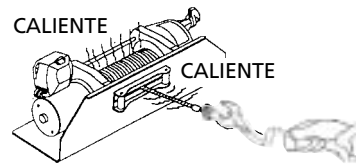


Figure 19

⚠ PELIGRO *El tambor y el cable de alambre pueden calentarse mucho.*

Cuando el cable de alambre sale del tambor, como para llevar el gancho a la carga, debe usarse la característica de rueda libre del cabrestante.

NOTAS

CONJUNTO DEL CABRESTANTE

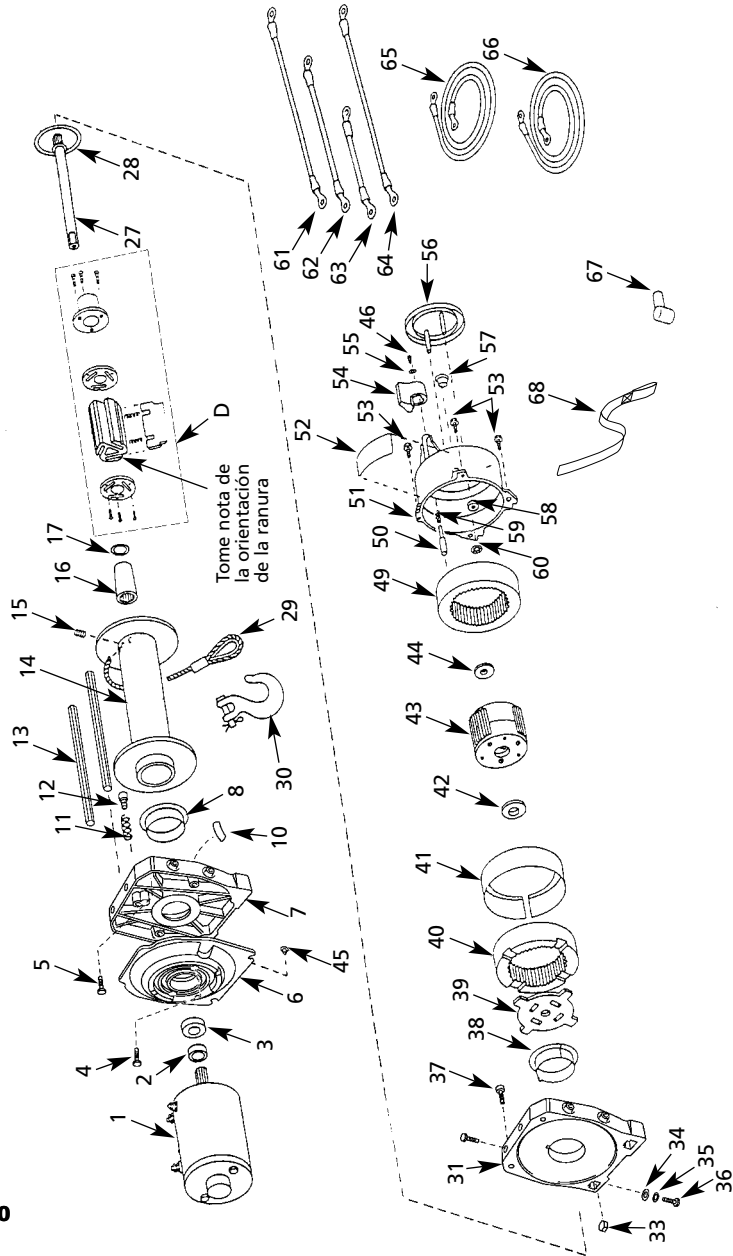


Figure 20

LISTA DE PIEZAS DE REPUESTO

Nº de Referencia	Descripción	Nº de Pieza	Cant.
1	Motor de 12 VCD (incluye tornillos de atravesie)	90-33333	1
	Motor de 24 VCD (incluye tornillos de atravesie)	90-33334	1
2	Separador de motor	90-10354	1
3	Rodamiento de bolas	94-23079-05	1
4	Tornillo autoroscante de cabeza hexagonal de 1/4"-20 x 5/8"	90-23039-10	3
5	Tornillo allen de 1/4"-20 x 3/4"	90-23055-06	2
6	Adaptador para motor	90-32165	1
7	Soporte de tambor fuera de borda con 10	90-32255	1
8	Rodamiento del tambor	90-12575	1
9	No aplicable a este modelo	-	-
10	Calcomanía de dirección de enrollado	92-10211	1
11	Resorte del botón de arrastre	90-23152-08	1
12	Botón de arrastre	90-22612	1
13	Varilla de enlace	90-20033	2
14	Tambor	90-31069-04	1
15	Tornillo de seguridad allen M8 x 10	94-23164-09	1
16	Acoplamiento de la flecha impulsora	90-22110	1
17	Rondana	90-23120-08	2
D	Conjunto del freno	90-25036	1
18	No aplicable a este modelo	-	-
19	No aplicable a este modelo	-	-
20	No aplicable a este modelo	-	-
21	No aplicable a este modelo	-	-
22	No aplicable a este modelo	-	-
23	No aplicable a este modelo	-	-
24	No aplicable a este modelo	-	-
25	No aplicable a este modelo	-	-
26	No aplicable a este modelo	-	-
27	Conjunto de la flecha impulsora	90-22254	1
28	Rondana de impulso	90-12574	1
29	Cable de alambre de 8 mm x 30.48 m (5/16" x 100 ft) sin gancho	1580	1
30	Conjunto del gancho de horquilla	94-20116	1
31	Soporte del tambor dentro de borda	90-32168	1
32	No aplicable a este modelo	-	-
33	Tuerca cuadrada de 3/8"-16	90-23084-04	4
34	Rondana plana de 3/8"	92-23027-05	4
35	Rondana de presión de 3/8"	92-23057-01	4
36	Tornillo de cabeza hexagonal de 3/8"-16 x 1", Grado 8	90-23226-01	4
37	Tornillo Allen de 1/4"-20 x 3/4"	90-23055-06	2
38	Rodamiento del tambor	90-12575	1
39	Placa de impulso del tambor	90-22183	1
40	Engrane anular de salida	90-32232-01	1
41	Rodamiento del engrane anular	90-22607	1
42	Cojinete del transporte	90-10417	1
43	Conjunto del transporte planetario	90-32238	1
44	Cojinete de la caja de engranes	90-10418	1

LISTA DE PIEZAS DE REPUESTO

Nº de Referencia	Descripción	Nº de Pieza	Cant.
45	Tapa plástica	90-23171-05	2
46	Tornillo de cabeza plana de 8/32" x 3/8"	90-23032-17	1
47	No aplicable a este modelo	-	-
48	No aplicable a este modelo	-	-
49	Engrane anular fijo	90-32233-01	1
50	Chaveta	90-22252-01	1
51	Carcasa de la caja de engranes (con 52, 56-58 y 60. Especifique el Nº de modelo al pedirla)	90-32256	1
52	Calcomanía de advertencia/Operación del embrague (especifique el Nº de modelo)	90-22263	1
53	Tornillo autoroscante de cabeza hexagonal de 1/4"-20 x 5/8"	90-23039-10	4
54	Palanca del embrague	90-32248	1
55	Rondana de corona de Nº 8 Int	90-23048-03	1
56	Guardapolvos	90-22103	1
57	Tapón	90-23171-07	1
58	Rondana de caucho	92-10194	2
59	Resorte del embrague	90-23152-07	1
60	Retenedor de presión	90-23213-04	2
61	Conj. de cable conductor 2 AWG x 41 cm (16") (amarillo)	90-22695-26	1
62	Conj. de cable conductor 2 AWG x 33 cm (13") (azul)	90-22695-25	1
63	Conj. de cable conductor 2 AWG x 25.5 cm (10") (blanco)	90-22695-27	1
64	Conj. de cable conductor 10 AWG x .61 m (24")	90-22635-33	1
65	Conj. de cable conductor 2 AWG x 2.5 m (8') (negro)	90-22635-47	1
66	Conj. de cable conductor 2 AWG x 2.5 m (8') (rojo)	90-22695-46	1
67	Terminal de casquillo 2 AWG	90-23247-04	3
68	Barra protectora de nylon para manos	87-31120	1
NSM	Tiras para atar cables de 17.78 cm (7") de largo	94-23058-04	6
NSM	Grasa (para una lubricación)	90-15020	1
NSM	Juego de reparación de escobillas del motor, 12V (1901)	90-10414-05	1
	Juego de reparación de escobillas del motor, 24V (1902)	90-10414-04	1
ACC	Escobén con rodillos	2539	1
ACC	Bloque de poleas, 9,080 kg (20,000 lb)	7750A	1
ACC	Juego de cortacircuitos - 12V	2232	1
ACC	Juego de cortacircuitos - 24V	2232A	1
70	Pendiente del interruptor remoto (15')	90-33450-01	1
71	Interruptor de palanca	90-14141	1
72	Tornillo Nº 8-32 x 3/4"	90-23032-22	2
73	Conjunto de conexión con cables	90-14140	1
74	Tapa del solenoide (con logotipo)	90-32187	1

NSM No se muestra ACC Accesorio

CONJUNTO DEL SOLENOIDE

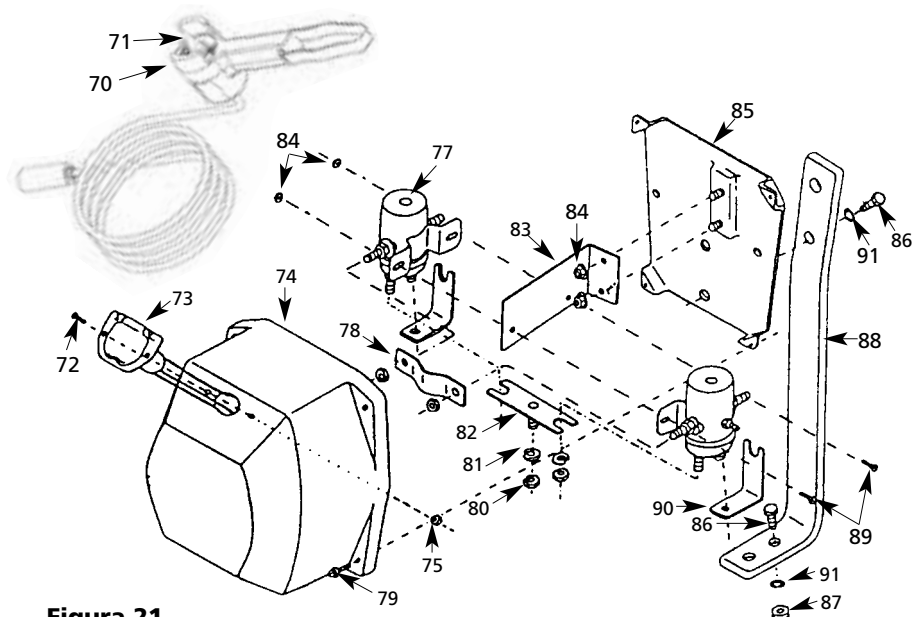


Figura 21

Nº de Referencia	Descripción	Nº de Pieza	Cant.
75	Tuerca hexagonal con brida Nº 8-32	90-23149-06	2
77	Solenoide de 12 VDC	90-20329	2
	Solenoide de 24 VDC	90-20331	2
78	Barra de conexión superior	92-12383	1
79	Tornillo autoroscante de cabeza hexagonal de 8-32 x 1/2"	92-23039-01	4
80	Tuerca hexagonal de 5/16"-18	92-23034-04	1
81	Rondana de presión de 5/16"	92-23057-03	1
82	Barra de conexión frontal con perno	92-12384	1
83	Soporte del solenoide	94-20118	1
84	Tuerca hexagonal con brida 10-32	90-23149-01	4
85	Placa base para el solenoide con pernos	90-22627-02	1
86	Tornillo de cabeza hexagonal de 1/4"-20 x 3/4"	90-23226-10	4
87	Tuerca hexagonal con brida de 1/4"-20	90-23149-02	4
88	Soporte del paquete del solenoide	90-31027-02	1
89	Tornillo de máquina 10-32 x 1/2"	92-23125-01	2
90	Barra de conexión Nº 1	92-20126	1
91	Rondana de corona de 1/4"	90-23227-02	2
NSM	Logotipo del X9	90-20065	1
NSM	Paquete de control, X9 12V (incluye 72-85, 89 y 90)	90-32271	1
NSM	Paquete de control, X9 24V (incluye 72-85, 89 y 90)	90-32272	1

TABLA DE BÚSQUEDA DE SOLUCIONES

Si surge algún problema, comuníquese con su distribuidor Superwinch o centro de reparación más cercano.

Sintoma	Cause Probable	Acción Correctiva
El motor no funciona, o funciona solamente en una dirección	<ol style="list-style-type: none"> Solenoides atascado o dañado; muy probablemente causado por no retener la tuerca interior para evitar que el perno girase cuando se conectó el cable al solenoide Interruptor inoperativo Cables rotos o mal contacto Motor dañado Solenoides sin conexión a tierra 	<ol style="list-style-type: none"> PRECAUCIÓN: Desengrane el embrague antes de realizar esta prueba para evitar conectar el tambor del cable de alambre. Si el solenoide se atasca una vez, es muy probable que se vuelva a atascar y debe ser reemplazado inmediatamente. Golpee el solenoide para liberar los contactos atascados. Revise aplicando corriente a la terminal pequeña del solenoide. Asegúrese que el solenoide esté conectado de vuelta a la fuente. Un solenoide que no esté atascado hará un clic audible al ser conectado. Reemplace el interruptor Revise que no haya malas conexiones. PRECAUCIÓN: Siempre use dos llaves españolas (abiertas) (ver la Figura 10) Reemplace o repare el motor Revise la ruta de conexión a tierra entre el negativo de la batería y la base del solenoide
El cabrestante no se apaga	<ol style="list-style-type: none"> Solenoides atascado en «Encendido» 	<ol style="list-style-type: none"> Si el solenoide se atasca en encendido, invierta la dirección y mantenga encendido el interruptor de gatillo hasta que el cable de corriente pueda desconectarse. Contamos con un interruptor de encendido-apagado de seguridad como accesorio. (Nº de Pieza 1562)
El motor funciona extremadamente caliente	<ol style="list-style-type: none"> Largo período en operación Motor dañado Freno dañado 	<ol style="list-style-type: none"> Permita que se enfríe Reemplace o repare el motor Reemplace o repare el freno
El motor funciona pero con poca potencia o velocidad de línea	<ol style="list-style-type: none"> Batería descargada El cable de la batería al cabrestante es demasiado largo Mala conexión a la batería Mala conexión a tierra Freno dañado 	<ol style="list-style-type: none"> Recargue o reemplace la batería. Revise el sistema de carga Use cable de mayor calibre. Revise que las terminales de la batería no tengan corrosión. Limpie, vuelva a apretar y recubra con una película delgada de grasa para evitar corrosión adicional. Revise y limpie las conexiones Use un sistema más grande
El motor funciona pero el tambor no gira	<ol style="list-style-type: none"> Embrague no engranado 	<ol style="list-style-type: none"> Engrane el embrague
El cabrestante gira al revés	<ol style="list-style-type: none"> Los cables del motor están invertidos Solenoides cableados incorrectamente 	<ol style="list-style-type: none"> Revise nuevamente el cableado Revise nuevamente el cableado
El cabrestante no sostiene la carga	<ol style="list-style-type: none"> Carga excesiva Freno desgastado o dañado 	<ol style="list-style-type: none"> Reduzca la carga o duplique la línea Repare o reemplace el freno

SUPERWINCH®

CENTROS DE REPARACIÓN DE GARANTÍA

EUA

Superwinch Inc.
Winch Drive
Putnam, CT 06260
phone: 860-928-7787
repair@superwinch.com

Electric Motor Repair
2010 North 4th Street
Minneapolis, MN 55411
phone: 612-588-4693

Berens & Associates
124 Heegenberger Loop
Oakland, CA 94621
phone: 800-540-2858
berens94621@yahoo.com

Zorko's Alternator Service
241 Wells Road
Home, PA 15747
phone: 800-468-5055
zasapw@microserve.net

Electric Motors of Iowa City
50 Commercial Court
Iowa City, IA 52246
phone: 319-354-4040
emic4040@aol.com

CANADA

Demand Electric
228-39th St. N.E.
Calgary, AB T2E 2M5
403-230-2709

Harold Supply
3 Southerland Ave.
Sudbury, Ont. P3C 3A7
705-761-4455

Explora Industries Ltd.
9605-5th Ave.
Edmonton, AB T6E 0B2
780-430-8591

Dayworth Sales
1 Saunders Rd. Unit 2
Barrie, Ont. 9A7 9A7
705-726-7778

Les Equipment Twin
10401 Parkway Blvd.
Ville D'Anjou, PQ H1J 1R4
514-353-1190

Buffalo Industries
251-253 Princess Street
Winnipeg, Manitoba R2C 1M1
204-942-1951

Power Plus Tool Repair
57 Millenium Ave.
Moncton, NB E1E 2G2
560-855-8665

Muskoka Auto Parts
11 King William St.
Huntsville, Ont. P1H 2K8
705-789-2321

Lou Dennis Auto
Hiway 11 South
Sundridge, Ont. P0A 1Z0
705-384-5345

Outdoors Plus
128 Regional St.
P.O. Box 1349
Port Aux Basques, NF A0M 1C0
709-695-7533

Bobcaygeon Auto and Marine
91 Main St.
Bobcaygeon, Ont. K0M 1A0
705-738-2317

MAP Bracebridge
19 Taylor Rd.
Bracebridge, Ont. P1L 1W3
705-645-8785

MAP Fenelon Falls
165 Lindsay St.
Fenelon Falls, Ont. K0M 1N0
705-887-6232

Central Electric Motor Rewind
#1-1960 Windsor Rd.
Kelowna, BC V1Y 2Y3
250-860-4415
jnelsoncentral@netscape.net

Delta Tool Repair Limited
114-7533, 135th St.
Surrey, BC V3W 0N6
604-591-3230

Ted's Power Tool Repair
426-44th St. East
Saskatoon, SK S7K 0W1
306-934-6155

Bob's Electric Truck Service
845-B Macdonald Ave.
Regina, SK S4N 2X5
306-721-4148

Off Road Canada
251-12th St. "B" North
Lethbridge, AB T1H 2K8
403-327-7722

Gary's Starter & Alternator
P.O.Box 7 Site 4
RR 1 Mount Uniacke B0N 1Z0
Contact: Gary Thorne
902-757-2388

Power Blitz Mftg. & Maintenance
577 Edgeley Blvd. Unit 6
Concord, Ont. L4K 4B2
905-669-8209
ali@powerblitz.com

Bruce's Recreation
92 Balbo Dr.
Shoal Harbour Nfld A5A 4A8
709-466-3355

Atlantic Recreation & Marine
5 School St.
Sydney, Nova Scotia
B1S 3G1
902-567-1697
sbidart@thearm.ca

REINO UNIDO

Superwinch, LTD
Abbey Rise, Whitchurch road
Tavistock, Devon PL19 9DR
+44 (0) 1822 614101

EN TODO EL MUNDO
Comuníquese con su Distribuidor local de Superwinch o llame a Superwinch

SUPERWINCH**GARANTÍA LIMITADA**

Válida en Todo el Mundo

GARANTÍA LIMITADA. Superwinch Inc. ("Vendedor") le garantiza al comprador original ("UD.") que todas las partes y componentes excepto el cable están libres de defectos en materiales y mano de obra, durante un periodo de (UN) 1 año a partir de la fecha de compra demostrable. Cualquier producto Superwinch que sea defectuoso será reparado o reemplazado sin costo a Ud., al acatar estos procedimientos. Las garantías establecidas en la presente son exclusivas y sustituyen toda otra garantía, ya sea oral o escrita, expresa o implícita.

Procedimiento de Cumplimiento con la Garantía Limitada.

Al descubrir un producto Superwinch defectuoso, debiera enviarle por correo al Vendedor, a su fábrica o a cualquier Centro de Servicio Autorizado por la Fábrica, notificación por escrito de dicho defecto, y enviar por correo, embarcar o de otra forma entregar el Superwinch defectuoso, con el porte o el flete pre-pagado. La reparación o el reemplazo por parte del Vendedor bajo esta Garantía limitada normalmente se efectuarán dentro de los quince (15) días laborales a partir del recibo del Superwinch defectuoso. El Vendedor o sus Agentes Autorizados podrán cobrar cargos razonables en concepto de repuestos y mano de obra, por reparaciones que no estén cubiertas por esta Garantía Limitada.

Limitaciones y Exclusiones a esta Garantía y Recurso.

La reparación y / o el reemplazo del Superwinch defectuoso o de la parte componente del mismo como se establece en la presente es el recurso exclusivo suyo. Las siguientes exclusiones o limitaciones de garantías y limitaciones de recursos serán expresamente aplicables:

A. **Garantías expresas.** El Vendedor Garantiza que el Superwinch es como se describe en el "Manual del Dueño de Superwinch" provisto con la presente; no se hace ninguna otra garantía expresa con respecto al Superwinch. Si cualquier modelo o muestra se le mostró a Ud., dicho modelo o muestra se usó con fines ilustrativos solamente, y no será considerado como una garantía de que el Superwinch estará en conformidad con la muestra o el modelo. **EL VENDEDOR NO EMITE GARANTÍA EXPRESA EN LO REFERENTE AL CABLE INCORPORADO AL PRODUCTO.**

B. **Garantía Implícita.** LA GARANTÍA IMPLÍCITA DE APTITUD PARA LA VENTA Y TODAS LAS DEMÁS GARANTÍAS IMPLÍCITAS SÓLO TENDRÁN VIGENCIA A PARTIR DE LA FECHA DE COMPRA DEMOSTRABLE, DURANTE UN (1) AÑO. EL CABLE SE VENDE "EN SU ESTADO ACTUAL", SIN GARANTÍA IMPLÍCITA ALGUNA. ALGUNOS ESTADOS DE LOS E.U.A. NO PERMITEN LIMITACIONES EN LO REFERENTE A CUÁNTO DURA UNA GARANTÍA IMPLÍCITA, DE MODO QUE LA LIMITACIÓN DE MÁS ARRIBA PODRÍA NO APLICARSE A UD.

C. **Daños Incidentales y Consecuentes.** EN SUJECCIÓN A LAS OBLIGACIONES PROPIAS A LA GARANTÍA LIMITADA DEL VENDEDOR ESTABLECIDAS EN LA PRESENTE, EL VENDEDOR NO SERÁ RESPONSABLE POR DAÑOS INCIDENTALES DE ÍNDOLE ALGUNA, O POR DAÑOS CONSECUENTES A LA PROPIEDAD, PÉRDIDA DE GANANCIAS Y PÉRDIDA DEL USO QUE PUEDAN SER OCASIONADOS POR CUALQUIER DEFECTO EN, O MAL FUNCIONAMIENTO, O FALLA DEL SUPERWINCH ADJUNTO. ALGUNOS ESTADOS DE LOS E.U.A. NO PERMITEN LA EXCLUSIÓN O LIMITACIÓN DE DAÑOS INCIDENTALES O CONSECUENTES, DE MODO QUE LA LIMITACIÓN O EXCLUSIÓN DE MÁS ARRIBA PODRÍA NO APLICARSE A UD.

D. **Condición de la Garantía.** Al Vendedor no se le requerirá cumplir con sus deberes establecidos bajos los términos de la garantía contenida en la presente si el defecto, el mal funcionamiento, o la falla del Superwinch fue causado por daños (no resultantes de componentes defectuosos o en mal estado de funcionamiento) o uso irrazonable ocasionados por Ud. El uso irrazonable incluirá, pero no estará limitado el no proporcionar mantenimiento o instalación razonables y necesarios, o el uso del Superwinch sin acatar las instrucciones contenidas en el Manual del Dueño de Superwinch, y el someter al Superwinch a cargas en exceso de la carga establecida en el Manual del Dueño para el número del modelo particular. La responsabilidad del Vendedor bajo esta garantía, o por cualquier pérdida o daño al producto Superwinch, no excederá el costo de corregir los defectos o reemplaza, el producto Superwinch, y al expirar el plazo de la garantía, toda responsabilidad tal terminará. Los agentes, concesionarios y empleados del Vendedor no están autorizados a realizar modificaciones a esta garantía, o garantías adicionales obligatorias al Vendedor. Por lo tanto, declaraciones adicionales, ya sean orales o escritas, no constituyen garantías y no se debiera confiar en ellas.

RECURSOS LEGALES DEL COMPRADOR. Esta garantía limitada le otorga derechos legales específicos, y Ud. podría tener otros derechos que pueden variar de Estado a Estado dentro de los E.U.A. y de país en país. Ud. también tiene derechos propios a una garantía implícita. En el caso de que surja un problema con el servicio o el cumplimiento de la Garantía Limitada, Ud. quizá pueda recurrir a un juzgado de instancia menor, un juzgado estatal, o un juzgado federal de distrito en los E.U.A., o a jurisdicciones apropiadas fuera de los E.U.A.

AVERIGUACIONES. Cualquier averiguación referente al acato de las garantías establecidas mediante la presente podrán dirigirse por escrito a: Superwinch Inc., Winch Drive, Putnam, CT 06260, E.U.A. o a: Superwinch Ltd., Abbey Rise, Whitchurch Road, Tavistock, Devon PL19 9DR, Inglaterra.

SUPERWINCH®**MODE D'EMPLOI**

INSTALLATION • FONCTIONNEMENT • ENTRETIEN
PRÉCAUTIONS DE SÉCURITÉ • PIÈCES DE RÉPARATION

Treuil électrique X9
de 12 & 24 Volts DC
Modèle 1901 et 1902

▲ ATTENTION

LISEZ ET COMPRENEZ CE MODE D'EMPLOI AVANT D'INSTALLER ET DE FAIRE FONCTIONNER VOTRE PRODUIT SUPERWINCH

Superwinch, Inc.
Winch Drive
Putnam, CT 06260
U.S.A.
Tel. (860) 928-7787
Fax (860) 963-0811

Superwinch, Ltd.
Abbey Rise, Whitchurch Road
Tavistock, Devon PL 19 9DR
Angleterre
Tel. +44 (0) 1822 614101
Fax +44 (0) 1822 615204

INTRODUCTION

Merci de votre achat du treuil X9 de Superwinch. Il a été conçu et fabriqué de manière à vous fournir des années de fonctionnement sans ennui. Nous espérons que vous serez satisfait de sa performance. Si vous ne l'êtes pas, pour quelque raison que ce soit, veuillez contacter le Service Clientèle au : + (860) 928-7787 pour les États-Unis et au +44 (0) 1822 614101 en Angleterre.

Lorsque vous demandez des renseignements ou lorsque vous commandez des pièces de rechange, ayez toujours les informations suivantes à votre disposition :

1. Numéro de pièce du treuil (1901, 1902)
2. Numéro de série (figure sur le moulage d'adaptation du moteur)
3. Le numéro de pièce (se trouve dans la rubrique Liste de pièces de rechange)
4. Description de la pièce

Veuillez lire et comprendre ce Mode d'emploi avant d'installer votre treuil. Faites particulièrement attention aux **Informations générales de sécurité**. Votre treuil est une machine très puissante. S'il est utilisé de manière dangereuse ou incorrecte, des dommages physiques ou corporels pourraient s'ensuivre. Nous avons incorporé plusieurs fonctions au X9 afin de minimiser cette possibilité; néanmoins, en fin de compte, votre sécurité dépend des précautions que vous prenez lors de l'utilisation de ce produit.



DANGER

Indique une situation dangereuse imminente qui, si elle n'est pas évitée, entraînera la mort ou des blessures graves.



AVERTISSEMENT

Indique une situation potentiellement dangereuse qui, si elle n'est pas évitée, entraînera la mort ou des blessures graves.



ATTENTION

Indique une situation potentiellement dangereuse qui, si elle n'est pas évitée, peut entraîner des blessures légères ou moyennes. Cette notation est également utilisée pour alerter contre les pratiques non sécuritaires.

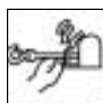
Les symboles suivants sont utilisés sur le produit et dans le manuel de l'opérateur :



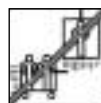
Lisez le manuel de l'opérateur



Toujours utiliser la barre protège-mains



Restez éloigné du treuil, du câble et du crochet durant le fonctionnement



N'utilisez jamais le treuil pour lever ou déplacer des personnes



Ne jamais utiliser le treuil pour retenir des charges en place

N.B. Indique des renseignements supplémentaires pour l'installation et les procédures de fonctionnement de votre treuil.

Une installation correcte de votre treuil X9 est requise pour qu'il fonctionne correctement. Si vous avez l'intention d'installer votre X9 sur l'avant de votre véhicule, **utilisez le kit (d'adaptation) de montage X9** qui a été conçu et fabriqué par Superwinch pour adapter votre treuil à votre véhicule.

Nota bene : Le modèle X9 de Superwinch est conçu principalement pour installation sur l'avant de véhicules et pour une utilisation générale intermittente. Ce treuil n'est pas conçu pour être utilisé dans des applications de levage et Superwinch ne garantit pas son aptitude à une telle utilisation.

Veuillez contacter notre Service Clientèle pour de plus amples renseignements.

Rappel des exigences électriques du treuil X9 que vous avez acheté :

Pièce 1901 - Système 12 volts DC uniquement

Pièce 1902 - Système 24 volts DC uniquement

Félicitations sur votre choix !

Union Européenne



Bruit Le niveau sonore du fonctionnement de ce treuil est inférieur à 92 dB (A).

Arrêt d'urgence Pour être conforme à la Directive 89/392/EEC concernant les machines, l'installation de chaque machine doit incorporer un interrupteur-séparateur (Pièce numéro 8370) permettant l'arrêt total de la machine sans danger.

Superwinch n'est pas responsable des erreurs d'impression accidentelles dans la production de ce manuel

CAPACITÉS DE CHARGE ROULANTE

Inclinaison*	10% (6°)	20% (11°)	30% (17°)	60% (31°)	100% (45°)
Livres.**	45.225	30.600	23.500	15.000	11.573
kg**	20.514	13.880	10.659	6804	5250

* Les valeurs nominales supposent un coefficient de friction de 10%.

** Une inclinaison de 10% équivaut à une montée de 1 pied (30,5cm) en dix pieds (3,05m). Les inclinaisons en degrés approximatifs sont donnés ci-dessus.

DÉBALLAGE DU CARTON

Ce carton contient les composants suivants. Veuillez déballer soigneusement. **Lisez les consignes avant de commencer.**

Description	Quantité
Assemblage du treuil avec câble métallique	1
Assemblage du solénoïde	1
Support de montage du solénoïde	1
Boulons à tête hexagonale 1/4-20	4
Écrous hexagonaux 1/4-20	2
Rondelle d'arrêt à denture externe 1/4	4
Têtes	3
Écrous carrés 3/8-16	4
Rondelles d'arrêt 3/8	4
Boulons à tête hexagonale 3/8-16 x 1, cl. 8	4
Protège-mains	1
Attaches-câbles de 7 po. (17,78 cm)	6
Assemblage de fil conducteur long (de couleur noir)	1
Commande à distance suspendue	1
Crochet de levage	1
Mode d'emploi	1

FONCTIONS

Moteur électrique – Puissance de pointe : 2,0 chevaux (1,5 kw) sur Série embobinée de 12 V ou 3,5 chevaux (2,6 kw) sur Série embobinée de 24 V.

Freinage – Un frein à résistance de sens unique retient une charge de 4 500 livres (2 041 kg) sur le premier tour d'embobinage.

Tambour – Construction en acier tournant dans des roulements de copolymère n'ayant pas besoin d'entretien.

Embrayage de bobinage libre – Fonctionne grâce à une manette d'action aisée qui désembraye la boîte de vitesses pour permettre le déroulement

du câble métallique sans courant électrique. Un mécanisme de résistance chargé par ressort réduit l'effet de fouet et de vrille lors du déroulement du câble.

Commande à distance – Un assemblage de commutation suspendu, tenu à la main, de 12 pieds (3,66 m) avec un commutateur de verrouillage réciproque de marche arrière et une détente.

Montage – Des kits de montage à conception spécialisée sont disponibles en option pour adapter le treuil au cadre du véhicule.

FONCTIONNEMENT INTERMITTENT

Un treuil électrique est comme tout autre outil entraîné par moteur tel qu'une scie ou perceuse électrique. Il ne faut pas permettre la surchauffe du moteur électrique. Des précautions normales prolongeront la vie de votre moteur. Gardez les temps de traction aussi courts que possible. **Si le moteur devient trop chaud pour le toucher con-**

fortablement, arrêtez le treuilage et permettez au moteur de refroidir.



ATTENTION *Si le moteur du arrêtez l'alimentation de courant au treuil.*

PERFORMANCE

Couche	Capacité de traction max. livres	kg
1	9000	4082
2	7365	3340
3	6230	2825
4	5400	2450
5	4765	2161

Charge du Treuil livres	Vitesse* 12 Volts		Vitesse* 24 Volts		Cour. moteur (ampères)*		
	kg	pi/min	m/min	pi/min	m/min	12V	24V
0	0	32,0	11,6	38,0	11,6	73	42
1,000	454	18,0	5,5	21,7	6,6	130	72
2,000	907	13,8	4,2	17,1	5,2	165	90
4,000	1814	9,0	2,7	12,0	3,6	240	133
6,000	2722	6,0	1,8	8,3	2,5	316	181
9,000	4082	2,5	0,8	3,5	1,0	420	252

SPECIFICATIONS

Charge de travail* 4082 kg (9000 livres)
 Charge de blocage 12 V*, 24V* . 5760 kg (12.700 livres)
 Câble métallique .. (5/16" x 50 pds.)

Moteur de 12 V 2,3 cv. max. (1,7 kW)
 Moteur de 24 V 3,5 cv. max. (2,6 kW)
 Rapport d'engrenage 253:1

*Basé sur le rendement de la première couche

INFORMATIONS GÉNÉRALES DE SÉCURITÉ

Votre treuil X9 est une machine de grande puissance. Traitez-le avec respect, utilisez-le avec précaution, et suivez toujours les consignes de sécurité.



AVERTISSEMENT *La responsabilité d'une installation et d'une utilisation sécuritaires du treuil ainsi que la prévention des blessures et des dommages à la propriété repose en fait sur vous, l'opérateur. Rien ne peut remplacer le bon jugement et la prudence dans le fonctionnement du treuil.*



AVERTISSEMENT *Le câble métallique peut rompre avant que le treuil ne cale. Pour les charges lourdes, utilisez un palan pour réduire la charge sur le câble.*

1. Le X9 a une capacité nominale de 9000 livres (4082 kg) (à câble unique) sur la couche de câble située la plus près du tambour. **NE SURCHARGEZ PAS LE TREUIL. N'ESSAYEZ PAS DES TREUILLAGES PROLONGÉS AVEC DES CHARGES LOURDES.** Ne maintenez pas l'alimentation au treuil si le moteur cale. Les surcharges peuvent endommager le treuil et/ou le câble et peuvent créer des conditions dangereuses. **POUR LES CHARGES DE PLUS DE 6000 LIVRES (2721 kg), NOUS RECOMMANDONS D'UTILISER LE PALAN FACULTATIF AFIN DE DÉDOUBLER LE CÂBLE** (Fig. 1 et 14). Ceci réduit la charge appliquée au treuil et au câble d'environ 50%. En cas d'attache au même véhicule, fixez le treuil au cadre ou à un autre

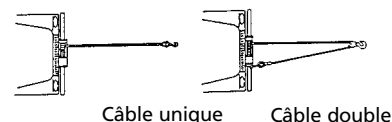


Figure 1



point de porte-charge. **Le moteur du véhicule doit être en marche pendant le fonctionnement du treuil pour minimaliser l'épuisement de la batterie et maximiser la force et la vitesse du treuil.** Si un treuilage important est effectué sans que le moteur ne soit en marche, il se peut que la batterie soit trop faible pour faire redémarrer le moteur.

2. **APRÈS AVOIR LU ET COMPRIS CE MANUEL, APPRENEZ À UTILISER VOTRE TREUIL.** Une fois le treuil installé, exercez-vous à l'utiliser pour vous familiariser avec son fonctionnement en cas de besoin.



- NE "déplacez" PAS votre véhicule pour aider le treuil à tirer la charge. La combinaison de la traction du treuil et de la traction du véhicule pourrait surcharger le câble ainsi que le treuil.
- DÉGAGEZ LA ZONE DE TREUILLAGE.** Ne permettez pas aux gens de rester dans la zone de fonctionnement du treuil. **TENEZ-VOUS TOUJOURS À L'ÉCART DU CÂBLE, DU CROCHET ET DU TREUIL. DANS LE CAS PEU PROBABLE D'UNE PANNE, MIEUX VAUT ÊTRE À DISTANCE.**
- INSPECTEZ FRÉQUEMMENT LE CÂBLE MÉTALLIQUE ET L'ÉQUIPEMENT. UN CÂBLE USÉ AYANT DES FILS CASSÉS DOIT ÊTRE REMPLACÉ IMMÉDIATEMENT.** Remplacez toujours le câble par une pièce de rechange identique du fabricant (voir la Liste de pièces de rechange). Vérifiez périodiquement l'installation du treuil pour vous assurer que tous les boulons sont bien serrés.
- PORTEZ DES GANTS EN CUIR ÉPAIS** lorsque vous manipulez le câble. **NE PERMETTEZ PAS AU CÂBLE DE GLISSER ENTRE VOS MAINS, MÊME LORSQUE VOUS PORTEZ DES GANTS.**

INFORMATIONS GÉNÉRALES DE SÉCURITÉ SUITE

7. NE TREUILLEZ JAMAIS AVEC MOINS DE 5 TOURS de câble AUTOUR DU TAMBOUR DU TREUIL puisque l'attache du câble NE résistera PAS à la charge. Le câble métallique de votre treuil X9 comporte une "bande indicatrice d'avertissement" de 3 mètres de longueur, peinte en rouge, à chaque extrémité du câble. Cet indicateur d'avertissement du côté du treuil vous prévient que le câble arrive à 5 tours sur le tambour ou qu'il reste moins de 5 tours. "L'indicateur d'avertissement" du côté du crochet vous prévient que le crochet se rapproche du treuil. SERVEZ-VOUS TOUJOURS DE LA PROTÈGE-MAINS pour guider l'enroulement ou le déroulement du câble (Voir Fig. 2). Au cours de l'utilisation de votre treuil, la peinture rouge s'usera à la suite de l'usage normale. Lorsque cela se produit, repeignez la bande. **Il s'agit d'une fonction de sécurité du treuil.**
- 
- Figure 2
8. TENEZ-VOUS À L'ÉCART DU TREUIL, DU CÂBLE SOUS TENSION ET DU CROCHET PENDANT LE FONCTIONNEMENT DU TREUIL. N'introduisez jamais votre doigt dans le crochet. Vous pourriez perdre votre doigt s'il restait coincé dans le crochet. **Ne guidez jamais le câble sur le tambour à l'aide des mains.**
- 
9. N'ATTACHEZ JAMAIS LE CÂBLE SUR LUI-MEME car ceci pourrait l'endommager. Utilisez une élingue en nylon (Fig. 3)

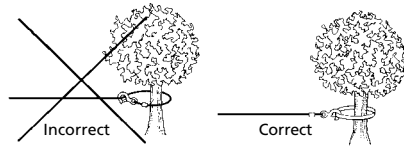


Figure 3

10. Lors de la traction de charges lourdes, il est recommandé de placer une couverture ou une veste lourde sur le câble métallique à proximité du crochet (Fig. 4). En cas de rupture du câble, le tissu amortira la rupture et empêchera que le câble ne fouette. Pour une protection complémentaire, soulevez le capot du véhicule.

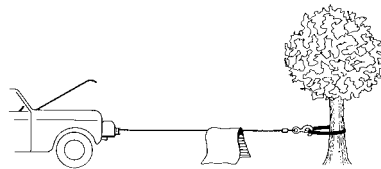



Figure 4

11. N'UTILISEZ JAMAIS VOTRE TREUIL POUR SOULEVER OU DÉPLACER DES PERSONNES.
- 
12. Votre treuil n'est pas conçu pour des opérations de levage.
13. ÉVITEZ LA TRACTION CONTINUE À DES ANGLES EXTRÊMES. Ceci aura pour conséquence l'entassement du câble d'un seul côté du tambour (Fig. 5), ce qui peut caler le câble à l'intérieur du treuil et endommager le câble ou le treuil.

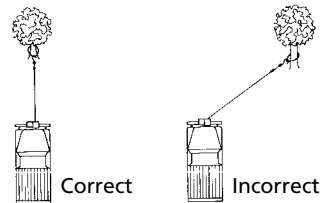


Figure 5

INFORMATIONS GÉNÉRALES DE SÉCURITÉ SUITE

14. NE CACHEZ JAMAIS LES ÉTIQUETTES DE CONSIGNES ET D'AVERTISSEMENT.
15. Ayez toujours une vue bien dégagée du fonctionnement du treuil.
16. Tous les équipements tels que les crochets, palans, courroies, etc. doivent être de taille appropriée à la tâche de treuillage et doivent être inspectés régulièrement pour tout dommage pouvant réduire leur force.
17. NE DÉSEMBRAYEZ JAMAIS L'EMBRAYAGE DE BOBINAGE LIBRE LORSQUE LE TREUIL EST SOUS CHARGE.
18. RANGEZ L'ASSEMBLAGE DE LA COMMANDE À DISTANCE SUSPENDUE DANS UN ENDROIT SÛR lorsqu'il n'est pas utilisé afin d'empêcher son utilisation par des enfants ou d'autres personnes non autorisées qui pourraient se blesser ou blesser les autres.
19. NE FAITES PAS FONCTIONNER LE TREUIL LORSQUE VOUS ÊTES SOUS L'INFLUENCE DE LA DROGUE, DE L'ALCOOL OU DE MÉDICAMENTS.
20. DÉCONNECTEZ TOUJOURS LA COMMANDE À DISTANCE AVANT TOUT TRAVAIL SUR OU PRÈS DU TAMBOUR DU TREUIL (LA ZONE DE DANGER) de manière à empêcher la mise en marche accidentelle du treuil.
21. Lorsque vous déplacez une charge, absorbez lentement le jeu du câble jusqu'à ce que celui-ci se raidisse. Arrêtez et vérifiez à nouveau toutes les connexions de treuillage. Assurez-vous que le crochet est bien ancré. En cas d'utilisation d'une élingue en nylon, vérifiez sa fixation à la charge.
22. Lorsque vous utilisez votre treuil pour déplacer une charge, placez la transmission du véhicule au point mort, mettez le frein à main et calez les roues.

23. N'UTILISEZ PAS LE TREUIL POUR MAINTENIR DES CHARGES EN PLACE. Utilisez d'autres moyens pour fixer les charges telles que des sangles. Superwinch offre une grande variété de dispositifs d'attache. Contactez votre concessionnaire local Superwinch.
24. UTILISEZ UNIQUEMENT DES COMMUTATEURS, COMMANDES À DISTANCE ET AUTRES ACCESSOIRES APPROUVÉS PAR L'USINE. L'utilisation de composants non approuvés peut provoquer des blessures ou des dommages physiques et peut annuler votre garantie.
25. N'USINEZ ET NE SOUDEZ AUCUNE DES PIÈCES DU TREUIL. De telles modifications peuvent affaiblir l'intégrité de la structure du treuil et peuvent annuler votre garantie.
26. Pour éviter la surchauffe du moteur, ne déroulez pas le treuil pendant plus de 2 minutes.

⚠ DANGER *Le tambour et le câble peuvent devenir très chauds (Fig 6).*

27. NE BRANCHEZ PAS LE TREUIL SUR UNE ALIMENTATION DE COURANT RÉSIDUEL DE 120 VOLTS NI SUR UN COURANT DE SECTEUR DE 220 VOLTS - LE TREUIL POURRAIT SURCHAUFFER OU UN CHOC FATAL POURRAIT SE PRODUIRE !
28. Ne permettez jamais l'application de charges par à-coups au treuil ou au câble.

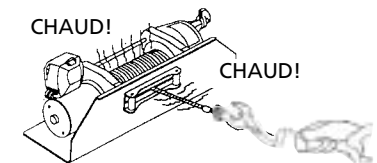
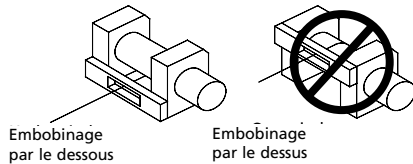


Figure 6

29. N'oubliez jamais que votre treuil doit fonctionner avec le câble métallique en position d'embobinage par le dessous.



INSTALLATION

MONTAGE DE VOTRE TREUIL

Les kits (d'adaptation) de montage Superwinch sont disponibles pour la plupart des véhicules courants. Si vous ne trouvez pas le kit qu'il vous faut dans votre région, contactez Superwinch à l'adresse donnée sur le devant de ce manuel pour obtenir le nom d'un distributeur Superwinch le plus proche.

Des consignes détaillées de montage sont fournies avec chacun des kits de montage. Lisez-les et suivez-les attentivement afin d'assurer un bon alignement et un bon fonctionnement du treuil.

Si vous n'utilisez pas de plaque de montage Superwinch, consultez la Figure 7 pour vous aider à construire un système de montage.

Note : Le treuil peut être monté avec le socle vers le bas ou vers l'avant. Voir le page 33 pour de plus amples détails. La position de montage préférée est avec le socle vers l'avant.

Ce treuil DOIT être monté avec le câble métallique embobiné par le dessous.

ATTENTION Un mauvais montage pourrait endommager votre treuil, annuler la garantie et causer des blessures.

ÉLECTRICITÉ MINIMALE REQUISE

Pour les treuils de 12 volts, les alimentations de puissance minimales recommandées consistent en un alternateur et une batterie de 60 ampères ayant une capacité de démarrage à froid de 440 ampères. Si le treuil est beaucoup utilisé, une batterie auxiliaire et un alternateur grand rendement ainsi qu'un isolateur de batterie sont également recommandés.

OUTILS REQUIS

Clés à fourche :

* (2) 3/8 po., *(2) 1/2 po., *(2) 7/16 po., *(2) 9/16 po.

(1) clé à douille hexagonale de 1/4 po. ou un tournevis à lame droite.

* Des clés réglables (à molette) peuvent être substituées.

1. Installez le kit de montage ou le support de structure du treuil.
2. Changez l'orientation du socle (si nécessaire). Voir la page 11.
3. Connectez le long fil de couleur noir et le fil de mise à la terre provenant du groupe de solénoïdes au carter du moteur. Montez le treuil sur la plaque de base du kit de montage ou sur la monture que vous avez conçue (voir la Fig. 7).

Les boulons de montage de 3/8-16 fournis sont de la bonne longueur pour être utilisés avec une plaque de montage Superwinch de 1/4 po. d'épaisseur.

ATTENTION L'extrémité des boulons

de montage ne doit pas entrer en contact avec le côté opposé du creux de montage du moulage de support (voir la Fig. 8).

Un tel contact pourrait endommager le moulage et résulter en une panne catastrophique du treuil, annulant la garantie. Ajustez la longueur des boulons en conséquence en cas d'utilisation d'une plaque plus épaisse. Le filetage des boulons doit engager tout le filetage des écrous.

Placez toujours les écrous carrés (fournis) dans les creux du moulage lors du montage de votre treuil.

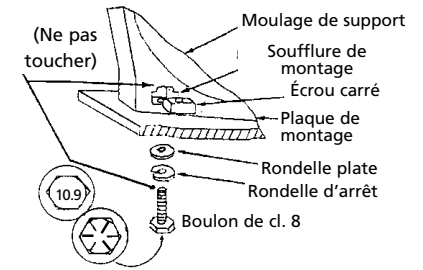


Figure 8

ATTENTION Ne substituez pas une classe plus faible que la classe SAE 8. (ISO 10.9) L'indication de la classe est située sur la tête du boulon est illustrée à la Figure 8.

4. Montez l'ensemble solénoïde sur le support de l'ensemble solénoïde à l'aide des boulons 1/4-20 fournis. (Voir la Figure 22.) Ne montez pas le support sur la plaque de montage à ce moment-ci.
5. Vérifiez à nouveau toutes les connexions que vous venez d'établir pour vous assurer qu'elles sont correctes. En cas d'utilisation de la plaque de montage Superwinch, boulonnez le support du solénoïde à la plaque de montage à l'aide des boulons, des rondelles d'arrêt à denture externe, et des écrous fournis. **Note :** Si vous n'utilisez pas de plaque de montage Superwinch, l'ensemble solénoïde doit être monté de manière à fournir une voie de mise à la terre à partir du carter du solénoïde à la borne négative de la batterie. Sans cette voie de mise à la terre, le treuil ne fonctionnera pas.

Si vous choisissez de placer l'ensemble solénoïde ou le treuil

NOTES :

1. Toutes les dimensions sont en pouces. (mm)
2. Le treuil est monté à l'aide de visserie de 3/8-16 po. En cas d'utilisation d'une plaque de base en acier de 1/4 po. (6,4), la longueur de boulon serait de 1 po. (25,4). Les boulons doivent être au minimum de classe 8 SAE (ISO 10.9).
3. Utilisez uniquement des écrous carrés dans le moulage pour le montage. (Voir la Figure 8).

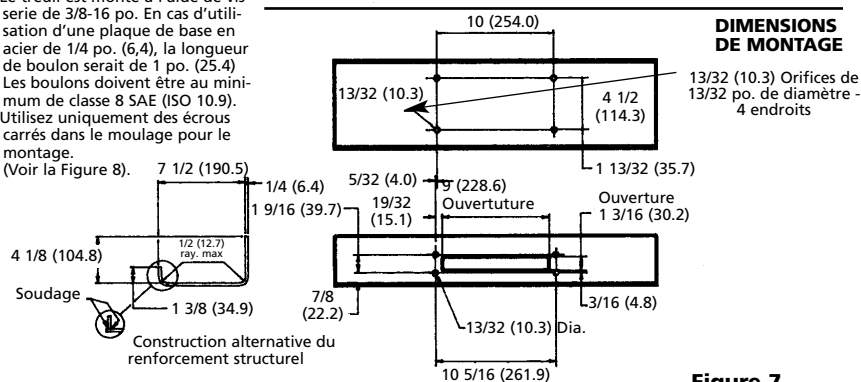


Figure 7

à une distance supérieure à celle permise par les fils fournis, il vous sera peut-être nécessaire d'acheter un fil de calibre supérieur pour obtenir une performance optimale du treuil. Si la longueur totale est supérieure à 3 mètres (10 pds.), utilisez un fil de calibre supérieur.

6. Déconnectez les fils conducteurs de la batterie du véhicule.

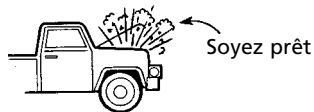


Figure 9

⚠ DANGER Les batteries automobiles contiennent des gaz inflammables et explosifs. Portez des lunettes de protection pendant l'installation et enlevez toute bijouterie en métal. Ne vous penchez pas au-dessus de la batterie lorsque vous établissez les connexions.

7. Faites passer les fils longs de couleur rouge et noir à la batterie. Pour prévenir l'abrasion et/ou la coupure de l'isolation, appliquez plusieurs couches de ruban adhésif électrique aux endroits où les fils peuvent entrer en contact avec des pièces métalliques tranchantes du véhicule. Connectez le fil rouge à la borne positive de la batterie et reconnectez la borne à la batterie.

Si votre batterie est munie de bornes latérales, il se peut que vous ayez à vous procurer des boulons auxiliaires destinés aux bornes latérales auprès de votre distributeur local de pièces auto pour établir ces connexions.

Connectez le long fil de couleur noir à la borne négative de la batterie et reconnectez ensuite la borne à la batterie.

8. Faites passer la manette de l'embrayage de bobinage libre en position "Libre". Sortez plusieurs pieds de câble métallique du tambour. Remettez la manette d'embrayage en position "engagée". Branchez la commande à distance suspendue. Glissez le levier à la position << Rope-Out >> (câble sorti) pour vérifier la direction de rotation du tambour du câble métallique. Si le tambour tourne dans le mauvais sens, revérifiez vos branchements électriques.

⚠ ATTENTION Pour empêcher l'utilisation interdite du treuil, retirez la commande à distance suspendue et rangez-la dans un endroit propre et sec tel que la boîte à gants.

Dans certains cas, il pourrait être approprié d'installer des dispositifs de protection de circuit supplémentaires (disjoncteurs). Si vous avez des doutes, veuillez consulter un expert approprié. Superwinch recommande que tous les systèmes électriques des treuils soient isolés rapidement et de manière appropriée de leur alimentation électrique dans l'éventualité d'une urgence. Le système électrique du treuil devrait toujours être isolé lorsque le treuil n'est pas utilisé.

FONCTIONNEMENT DE LA COMMANDE SUSPENDUE

La commande à distance suspendue active un solénoïde qui active à son tour l'alimentation du moteur du treuil. Un solénoïde sert à la direction du moteur pour "Déroulement du câble" et l'autre sert à la direction du moteur pour "Enroulement du câble".

Pour brancher la commande suspendue, ouvrez la protection antipoussière de la prise femelle

(voir la Figure 11). La prise du fil de la commande suspendue est adaptée de telle manière qu'elle ne peut être introduite que d'une seule façon. La détente de commutation retourne à la position "OFF" (ARRÊT) lorsque vous la relâchez (Fig. 12, art. A). L'interrupteur à coulisse à l'arrière du commutateur détermine le sens de rotation de tambour pour le fonctionnement en mode "déroulement du câble" ou "enroulement du câble" (Fig. 12, art. B). L'interrupteur à coulisse est muni d'un verrouillage réciproque pour empêcher la marche arrière du moteur si la détente est appuyée. Pour changer de direction, relâchez la détente, déplacez l'interrupteur à coulisse et appuyez à nouveau sur la détente.

⚠ ATTENTION L'assemblage du commutateur doit rester libre de saleté ou d'humidité pour en assurer un fonctionnement sans danger.

Déroulement du Câble Enroulement du Câble

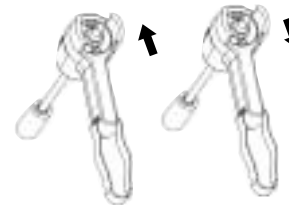


Figure 10

DÉROULEMENT DU CÂBLE MÉTALLIQUE

Le câble métallique a été installé sur votre treuil en usine à une charge minimale. Le câble doit être rembobiné sous charge sur le tambour pour que les couches extérieures ne s'enfoncent pas dans les couches intérieures, ce qui endommagerait le câble.

Soulevez la manette d'embrayage en position "Libre" de la manière indiquée à la Figure 11. S'il y a une charge sur le câble, il est possible qu'il soit difficile de déplacer la manette d'embrayage. NE FORCEZ

PAS LA MANETTE D'EMBRAYAGE. Relâchez la tension du câble en le remuant un peu pour sortir un peu de câble. Désembraquez l'embrayage, déroulez le câble en tirant et attachez-le à l'ancre ou à la charge. Vérifiez qu'il reste un minimum de cinq (5) tours de câble sur le tambour. Engagez à nouveau le tambour en remettant la manette d'embrayage en position "engagée" (Fig. 11).

⚠ ATTENTION La manette doit être en position engagée et verrouillée avant le treuilage.

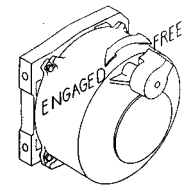


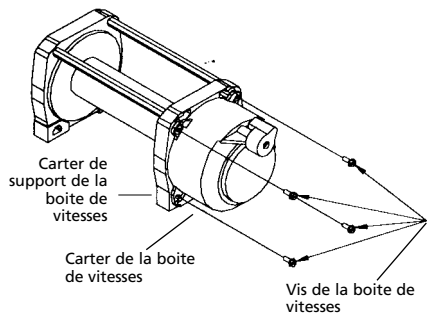
Figure 11

CONSIGNES POUR CHANGER LA CONFIGURATION DU TREUIL

Le treuil X9 peut être utilisé avec une configuration où le socle est soit orienté vers le bas soit orienté vers l'avant. Pour un fonctionnement plus commode, le carter de la boîte de vitesses peut être tourné de manière à placer la manette d'embrayage vers le haut du treuil.

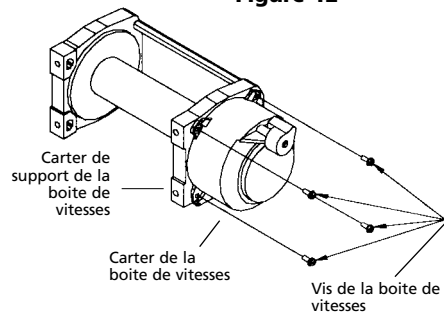
Pour la repositionner, enlevez les quatre (4) vis qui maintiennent le carter de la boîte de vitesses au carter de support de la boîte de vitesses. Faites pivoter le carter de la boîte de vitesses à la position voulue de la manette d'embrayage. Remplacez les (4) vis.

⚠ ATTENTION Faites attention de garder le carter de la boîte de vitesses contre le carter de support de la boîte de vitesses lorsque les (4) vis sont desserrées ou enlevées, afin d'empêcher que les pièces à l'intérieur de la boîte de vitesses ne se dégagent.



Configuration socle vers le bas

Figure 12



Configuration socle vers l'avant

Figure 13

CONSEILS POUR PROLONGER LA VIE DE VOTRE TREUIL

1. GARDEZ LE CÂBLE ÉTROITEMENT ENROULÉ AUTOUR DU TAMBOUR. Ne permettez pas que le câble se desserre. Un enroulement qui n'est pas fermement serré permet au câble, lorsqu'il est sous charge, de s'enfoncer dans les couches inférieures de câble embobinées sur le tambour. Lorsque cela se produit, le câble se bloque dans le bobinage, ce qui endommage le câble. Pour empêcher ce problème, gardez le câble sous tension et enroulé de façon uniforme autour du tambour à tous moments. Il est recommandé de rembobiner le câble sous tension après chaque utilisation. Une façon de procéder est d'attacher le crochet à un objet immobile en haut d'une pente et de treuiller votre véhicule sur la pente.

2. NE PERMETTEZ PAS LA SURCHAUFFE DU MOTEUR DU TREUIL. N'oubliez pas que le treuil est uniquement conçu pour un fonctionnement intermittent. Les pièces internes peuvent être plus chaudes que le carter. Pour vérifier la température du moteur, arrêtez le treuilage et touchez prudemment le carter du moteur. Si le moteur est inconfortablement chaud au toucher, laissez le refroidir avant de continuer. LAISSEZ LE MOTEUR DU VEHICULE EN MARCHE PENDANT CETTE PAUSE AFIN DE RECHARGER LA BATTERIE.

3. Afin de maximiser la vie du treuil et du câble, utilisez un palan pour avoir un câble double pour les charges plus lourdes (Fig. 14).

Figure 14



4. La traction requise pour commencer à faire bouger une charge est souvent de beaucoup supérieure à la traction requise pour continuer le déplacement de la charge. ÉVITEZ LES ARRÊTS ET REMISES EN MARCHE RÉPÉTÉS pendant le treuilage.

5. EMPÊCHEZ LES NOEUDS AVANT QU'ILS NE SE PRODUISENT.

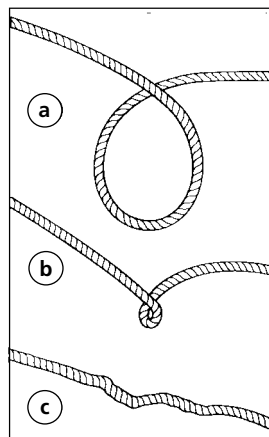


Figure 15

- Ceci est le début d'un noeud. À ce moment, le câble métallique devrait être tendu.
- Le câble métallique a été tiré et la boucle s'est serrée pour faire un noeud. Le câble métallique est maintenant endommagé de façon permanente et doit être remplacé.
- Le noeud casse les brins du fait de la forte tension et par conséquent réduit la capacité de charge du câble métallique. Ce câble métallique doit être remplacé.

6. Pour réduire de manière importante l'usure du câble pendant les treuilages sur angle, ÉQUIPEZ LE TREUIL D'UN GUIDE-CÂBLE (Fig. 16). Les roulements éliminent l'abrasion et le frottement excessif du câble.

Figure 16

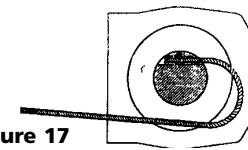


Figure 17

tage), utilisez uniquement de la graisse approuvée par l'usine (No. de pièce Superwinch 90-15020.)

REPLACEMENT DU CÂBLE

Ne substituez jamais un câble plus lourd ou plus léger. N'utilisez jamais un câble fait de matériel autre que de fil métallique.

Remplacez toujours le câble endommagé avec une pièce de rechange identique du fabricant d'origine

(voir la Liste de pièces de rechange). Faites passer l'extrémité de fixation du câble par le guide-câble (s'il y en a un) et attachez-la au tambour. Lorsque vous introduisez le câble dans le tambour, introduisez-le du bon côté de l'orifice fourni (Fig. 17). Serrez à fond la vis de serrage.

Il est important que le câble soit enroulé étroitement autour du tambour. Une bonne façon de ce faire est d'attacher le crochet de câble à un point fixe en haut d'une pente douce et de treuiller votre véhicule jusqu'au sommet.

ENTRETIEN

Contrôlez périodiquement le degré de serrage des boulons de montage et des branchements électriques. Enlevez toute saleté ou corrosion qui aurait pu s'accumuler sur les branchements électriques.

Les réparations ne devraient être effectuées que par les Centres de réparation Superwinch autorisés. N'essayez pas de démonter la boîte de vitesses. Le démontage annulera la garantie.

LUBRIFICATION

La boîte de vitesses et le roulement du tambour sont lubrifiés de manière permanente avec un lubrifiant d'engrenage de qualité industrielle. Si la re-lubrification s'avère nécessaire (après une réparation ou un démon

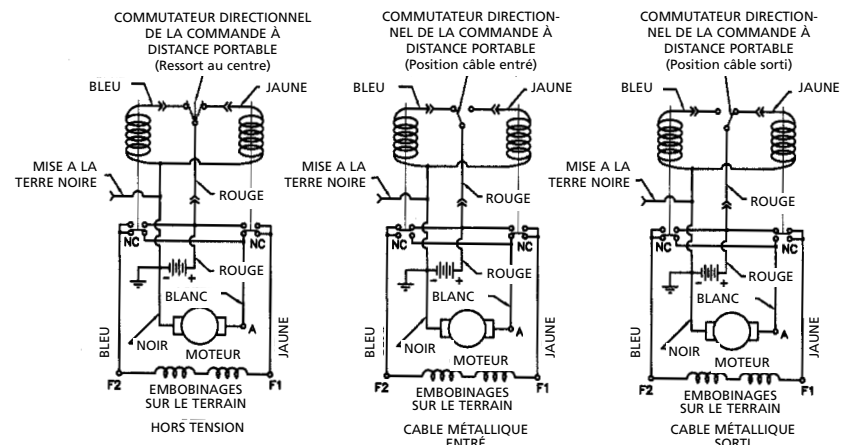


Figure 18

ASSEMBLAGE DU TREUIL

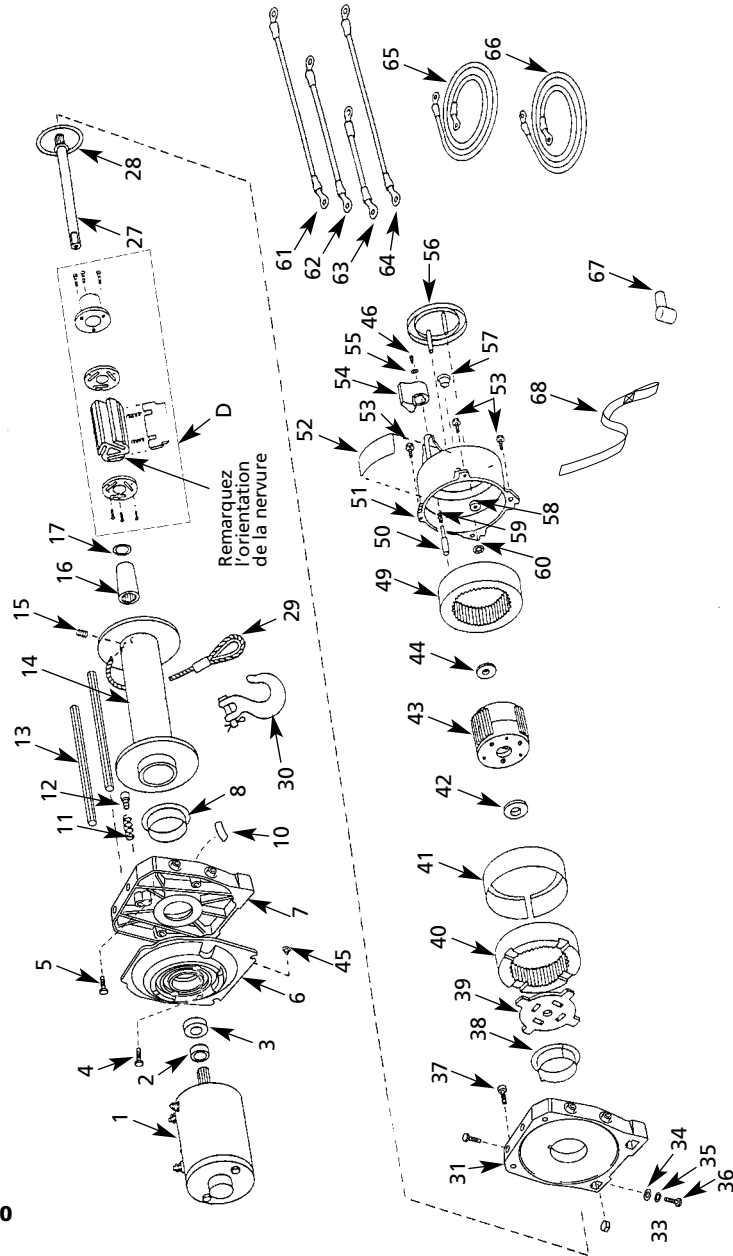


Figure 20

LISTE DE PIÈCES DU TREUIL

Artical	Description	No de Pièce	Qté.
1	Moteur 12 VDC (y compris boulons traversants) Moteur 24 VDC (y compris boulons traversants)	90-33333 90-33334	1 1
2	Pièce d'écartement de moteur	90-10354	1
3	Roulement à billes	94-23079-05	1
4	Vis à tête hexagonale autotaraudeuse 1/4-20 x 5/8	90-23039-10	3
5	Boulon à tête de vis à six pans creux de 1/4-20 x 3/4	90-23055-06	2
6	Adaptateur moteur	90-32165	1
7	Support de moteur hors bord (avec 10)	90-32255	1
8	Roulement du tambour	90-12575	1
9	Ne s'applique pas à ce modèle	-	-
10	Étiquette indiquant le sens de rotation	92-10211	1
11	Ressort du bouton de résistance	90-23152-08	1
12	Bouton de résistance	90-22612	1
13	Tige de raccordement	90-20033	2
14	Tambour	90-31069-04	1
15	Vis de serrage à six pans creuse M8 x 10	94-23164-09	1
16	Accouplement de l'arbre de roue motrice	90-22110	1
17	Rondelle	90-23120-08	2
D	Assemblage de frein	90-25036	1
18	Ne s'applique pas à ce modèle	-	-
19	Ne s'applique pas à ce modèle	-	-
20	Ne s'applique pas à ce modèle	-	-
21	Ne s'applique pas à ce modèle	-	-
22	Ne s'applique pas à ce modèle	-	-
23	Ne s'applique pas à ce modèle	-	-
24	Ne s'applique pas à ce modèle	-	-
25	Ne s'applique pas à ce modèle	-	-
26	Ne s'applique pas à ce modèle	-	-
27	Assemblage de l'arbre de roue motrice	90-22254	1
28	Rondelle d'appui	90-12574	1
29	Câble métallique de 5/16 x 100 pds. sans crochet	1580	1
30	Assemblage du crochet de levage	94-20116	1
31	Support de tambour intérieur	90-32168	1
32	Ne s'applique pas à ce modèle	-	-
33	Écrou carré 3/8-16	90-23084-04	4
34	Rondelle plate 3/8	92-23027-05	4
35	Rondelle d'arrêt 3/8	92-23057-01	4
36	Boulon à tête hexagonale 3/8-16 x 1, cl. 8	90-23226-01	4
37	Boulon à tête de vis à six pans creux de 1/4-20 x 3/4	90-23055-06	2
38	Roulement du tambour	90-12575	1
39	Plaque d'entraînement de tambour	90-22183	1
40	Couronne d'entraînement de sortie	90-32232-01	1
41	Palier de la couronne d'entraînement	90-22607	1
42	Bague de réduction du porte-pignons	90-10417	1
43	Assemblage du porte-pignons satellites	90-32238	1

LISTE DE PIÈCES DU TREUIL

Artical	Description	No de Pièce	Qté.
44	Bague de réduction de la boîte de vitesses	90-10418	1
45	Fermeture en plastique	90-23171-05	1
46	Vis à tête cylindrique à dépouille 8/32 x 3/8	90-23032-17	2
47	Ne s'applique pas à ce modèle	-	-
48	Ne s'applique pas à ce modèle	-	-
49	Couronne d'entraînement fixe	90-32233-01	1
50	Goupille de verrouillage	90-22252-01	1
51	Carter de la boîte de vitesses (avec 52, 56 à 58, 60 - préciser le No. de modèle lors de la commande)	90-32256	1
52	Étiquette d'avertissement/de fonctionnement de l'embrayage (préciser le No. de modèle)	90-22263	1
53	Vis à tête hexagonale autotaraudeuse 1/4-20 x5/8	90-23039-10	4
54	Manette d'embrayage	90-32248	1
55	Rondelle d'arrêt à denture int. No. 8	90-23048-03	1
56	Protection antipoussière	90-22103	1
57	Prise	90-23171-07	1
58	Rondelle en caoutchouc	92-10194	2
59	Ressort d'embrayage	90-23152-07	1
60	Dispositif de retenue à pousser	90-23213-04	2
61	Assemblage de fil conducteur 2 AWG x 12,5 po. (bleu)	90-22695-26	1
62	Assemblage de fil conducteur 2 AWG x 9,75 po. (jaune)	90-22695-25	1
63	Assemblage de fil conducteur 2 AWG x 6,5 po. (rouge)	90-22695-27	1
64	Assemblage de fil conducteur 10 AWG x 24 po.	90-22635-33	1
65	Assemblage de fil conducteur 2 AWG x 72 po. (jaune)	90-22635-47	1
66	Assemblage de fil conducteur 2 AWG x 72 po. (rouge)	90-22695-46	1
67	Têtine 2 AWG	90-23247-04	3
68	Protège-mains	89-31120	1
Pas	Attache-câble, de 7 po. de longueur	94-23058-04	6
Pas	Graisse (pour une rélubrification)	90-15020	1
Pas	Kit de réparation des balais moteur, 12 V (1901)	90-10414-05	1
	Kit de réparation des balais moteur, 24 V (1902)	90-10414-04	1
ACC	Guide-câble	2539	1
ACC	Palan 20 000 livres	7750A	1
ACC	Kit de disjoncteur - 12 V	2232	1
ACC	Kit de disjoncteur - 24 V	2232A	1
70	Commande à distance suspendue	90-33450-01	1
71	Commutateur à bascule	90-14141	1
72	Vis 8-32 x 5/8	90-23032-22	2
73	Assemblage de connecteur avec fils	90-14140	1
74	Protection du solénoïde (avec logo)	90-32187	1
75	Écrou à embase hex. 8/32	90-23149-06	2
77	Solénoïde de 12 VDC	90-20329	2
	Solénoïde de 24 VDC	90-20331	2

Pas illustré - Pas
Accessoire - ACC

ASSEMBLAGE DE SOLÉNOÏDE

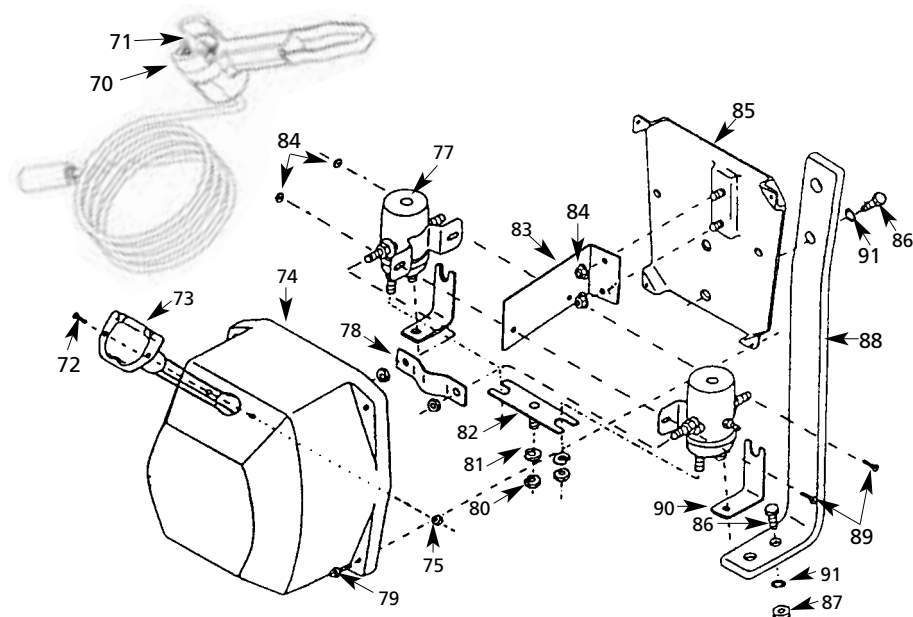


Figure 21

Artical	Description	No de Pièce	Qté.
78	Barre collectrice supérieure	92-12383	1
79	Vis autotaraudeuse 8-32 x 1/2	92-23039-01	4
80	Écrou hexagonal 5/16-18	92-23034-04	1
81	Rondelle d'arrêt 5/16	92-23057-03	1
82	Barre conductrice avant avec tige	92-12384	1
83	Support de solénoïde	94-20118	1
84	Écrou à embase 10-32	90-23149-01	4
85	Plaque de solénoïde avec tiges	90-22627-02	1
86	Boulon à tête hexagonale 1/4-20 x 3/4	90-23226-10	4
87	Écrou à embase hex. 1/4-20	90-23149-02	4
88	Support de l'ensemble solénoïde	90-31027-02	1
89	Vis à métaux 10-32 x 1/2	92-23125-01	2
90	Barre conductrice No. 1	92-20126	1
91	Rondelle d'arrêt à denture ext. 1/4	90-23227-02	2
Pas	Logo X9	90-20065	1
Pas	Ensemble de contrôle, X9 12 V (comprend art. 72 à 85, 89, 90)	90-32271	1
Pas	Ensemble de contrôle, X9 24 V (comprend art. 72 à 85, 89, 90)	90-32272	1

Symptôme	Cause Possible	Correction
Moteur ne démarre pas ou ne marche que dans un seul sens	<ol style="list-style-type: none"> Solénoïde endommagé ou coincé; très probablement parce que l'écrou intérieur n'a pas été tenu pour empêcher le boulon de pivoter quand le fil a été fixé au solénoïde. Commutateur ne fonctionne pas Fils cassés ou mauvaise connexion Moteur endommagé Solénoïdes pas mis à la terre 	<ol style="list-style-type: none"> ATTENTION : Désengagez l'embrayage avant de faire ce test pour empêcher d'activer le tambour portant le câble. Si un solénoïde reste coincé une fois, il est probable que cela se reproduise, il doit donc être remplacé immédiatement. Tapez sur le solénoïde pour libérer les contacts coincés. Vérifiez que tout va bien en faisant passer un courant à la borne du petit solénoïde. Assurez-vous que le solénoïde est mis à la terre à la source. Un solénoïde qui n'est pas coincé produit un clic audible lorsqu'il est activé. Remplacez le commutateur Vérifiez si les connexions sont mauvaises. ATTENTION : utilisez toujours deux clés. Remplacez ou réparez le moteur. Vérifiez le cheminement de la mise à la terre entre la borne négative de la batterie et la base du solénoïde
Treuil ne s'éteint pas	<ol style="list-style-type: none"> Solénoïde coincé sur (On) 	<ol style="list-style-type: none"> Si le solénoïde est coincé en position ouverte, inversez la direction et maintenez le commutateur à détente jusqu'à ce que le fil d'alimentation soit déconnecté. Un commutateur de sécurité marche-arrêt est disponible en tant qu'accessoire.
Moteur tourne extrêmement chaud	<ol style="list-style-type: none"> Période de fonctionnement longue Moteur endommagé Frein endommagé 	<ol style="list-style-type: none"> Permettez au moteur de refroidir Remplacez ou réparez le moteur. Remplacez ou réparez le moteur.
Moteur marche mais avec insuffisamment de puissance ou de vitesse de câble	<ol style="list-style-type: none"> Batterie faible Fil batterie-treuil trop long Mauvaise connexion batterie Mauvaise mise à la terre Frein endommagé 	<ol style="list-style-type: none"> Rechargez ou remplacez la batterie. Vérifiez le système de charge. Utilisez un fil de calibre plus important. Vérifiez si les bornes de la batterie sont corrodées. Nettoyez, resserrez et enrobez avec une fine couche de graisse pour empêcher une corrosion plus avancée. Vérifiez et nettoyez les connexions. Réparez ou remplacez le frein
Moteur marche mais tambour ne tourne pas	<ol style="list-style-type: none"> Embrayage non engagé 	<ol style="list-style-type: none"> Engagez l'embrayage
Treuil fait marche arrière	<ol style="list-style-type: none"> Fils du moteur intervertis Fils des solénoïdes mal installés 	<ol style="list-style-type: none"> Revérifiez les fils Revérifiez les fils
Treuil ne supporte pas la charge	<ol style="list-style-type: none"> Charge excessive Frein usé ou endommagé 	<ol style="list-style-type: none"> Réduisez la charge ou doublez le câble Réparez ou remplacez le frein

ÉTATS-UNIS

Superwinch Inc.
Winch Drive
Putnam, CT 06260
phone: 860-928-7787
repair@superwinch.com

Electric Motor Repair
2010 North 4th Street
Minneapolis, MN 55411
phone: 612-588-4693

Berens & Associates
124 Hegenberger Loop
Oakland, CA 94621
phone: 800-540-2858
berens94621@yahoo.com

Zorko's Alternator Service
241 Wells Road
Home, PA 15747
phone: 800-468-5055
zasapw@microserve.net

Electric Motors of Iowa City
50 Commercial Court
Iowa City, IA 52246
phone: 319-354-4040
emic4040@aol.com

CANADA

Demand Electric
228-39th St. N.E.
Calgary, AB T2E 2M5
403-230-2709

Harold Supply
3 Southerland Ave.
Sudbury, Ont. P3C 3A7
705-761-4455

Explora Industries Ltd.
9605-5th Ave.
Edmonton, AB T6E 0B2
780-430-8591

Dayworth Sales
1 Saunders Rd. Unit 2
Barrie, Ont. 9A7 9A7
705-726-7778

Les Equipment Twin
10401 Parkway Blvd.
Ville D'Anjou, PQ H1J 1R4
514-353-1190

Buffalo Industries
251-253 Princess Street
Winnipeg, Manitoba R2C 1M1
204-942-1951

Power Plus Tool Repair
57 Millenium Ave.
Moncton, NB E1E 2G2
560-855-8665

Muskoka Auto Parts
11 King William St.
Huntsville, Ont. P1H 2K8
705-789-2321

Lou Dennis Auto
Hiway 11 South
Sundridge, Ont. P0A 1Z0
705-384-5345

Outdoors Plus
128 Regional St.
P.O. Box 1349
Port Aux Basques, NF A0M 1C0
709-695-7533

Bobcaygeon Auto and Marine
91 Main St.
Bobcaygeon, Ont. K0M 1A0
705-738-2317

MAP Bracebridge
19 Taylor Rd.
Bracebridge, Ont. P1L 1W3
705-645-8785

MAP Fenelon Falls
165 Lindsay St.
Fenelon Falls, Ont. K0M 1N0
705-887-3232

Central Electric Motor Rewind
#1-1960 Windsor Rd.
Kelowna, NC V1Y 2Y3
250-860-4415
jnelsoncentral@netscape.net

Delta Tool Repair Limited
114-7533, 135th St.
Surrey, BC V3W 0N6
604-591-3230

Ted's Power Tool Repair
426-44th St. East
Saskatoon, SK S7K 0W1
306-934-6155

Bob's Electric Truck Service
845-B Macdonald Ave.
Regina, SK S4N 2X5
306-721-4148

Off Road Canada
251-12th St. "B" North
Lethbridge, AB T1H 2K8
403-327-7722

Gary's Starter & Alternator
P.O.Box 7 Site 4
RR 1 Mount Uniacke B0N 1Z0
Contact: Gary Thorne
902-757-2388

Power Blitz Mftg. & Maintenance
577 Edgeley Blvd. Unit 6
Concord, Ont. L4K 4B2
905-669-8209
ali@powerblitz.com

Bruce's Recreation
92 Balbo Dr.
Shoal Harbour Nfld A5A 4A8
709-466-3355

Atlantic Recreation & Marine
5 School St.
Sydney, Nova Scotia
B1S 3G1
902-567-1697
sbidart@thearm.ca

ROYAUME-UNI

Superwinch, LTD
Abbey Rise, Whitchurch road
Tavistock, Devon PL19 9DR
+44 (0) 1822 614101

À TRAVERS LE MONDE

Contactez votre concessionnaire Superwinch local ou téléphonez à Superwinch.

