

Winch Mount Installation Instructions

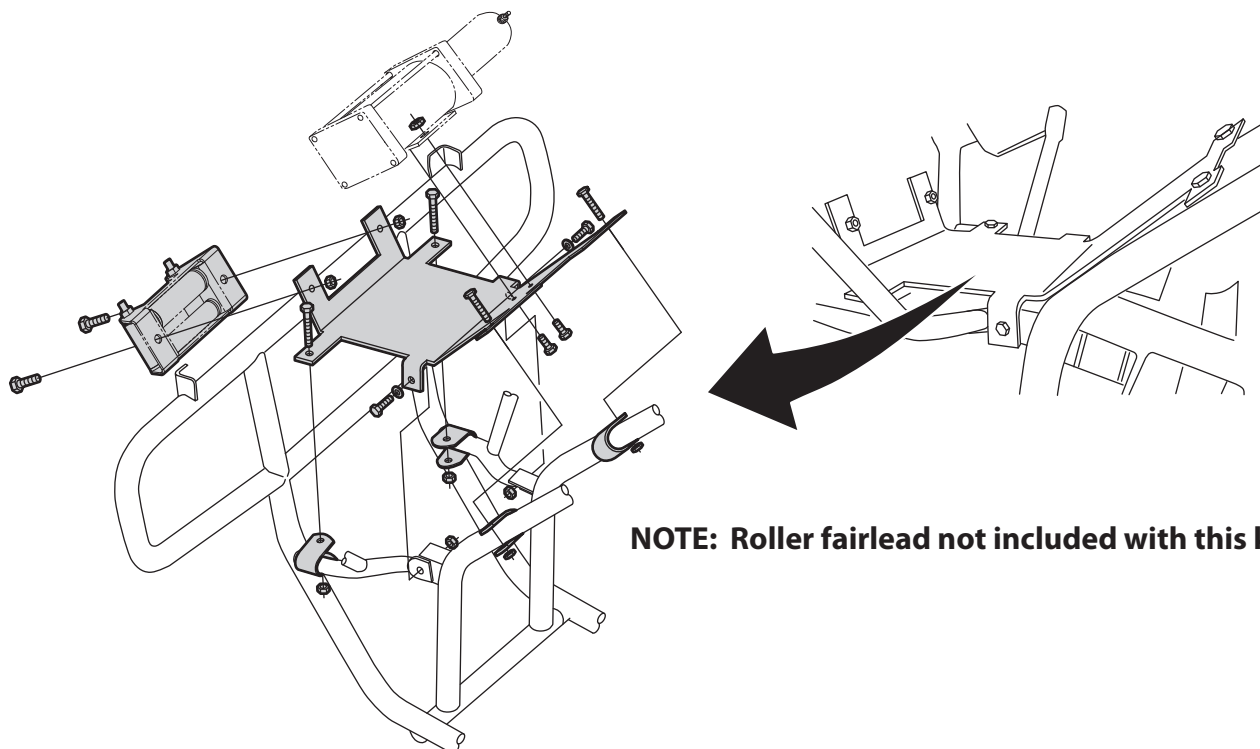
for 95-01 Honda Foreman 400, 98-04 450 S/ES

P/N 1555X

Qty.	Part #	Description
1	FG792	Winch Mount
2	HDW1054	8mm X 25mm Hex Bolts
2	HDW2105	3/8" X 2" Hex Bolts
2	HDW7061	3/8" Nylock Nuts
2	HDW2050	5/16" X 3/4" Hex Bolts
2	HDW7058	5/16" Nylock Nuts
2	KD23P	1" U-Clamps
2	KD20P	3/4" U-Clamps
2	HDW2004	1/4" X 1-3/4" Hex Bolts
2	HDW7050	1/4" Nylock Nuts
2	HDW9012	1/4" Flat Washers

INSTRUCTIONS:

1. Remove the (2) 8mm support arm bolts that attach the bumper to the frame and discard.
2. Install the winch to the mount using the hardware provided with the winch. Slide the complete unit under the front fender between the bumper tubes per the illustration. Make sure the wires for the headlight are between the frame tube and the winch mount.
3. Install the (2) provided 8mm x 25mm bolts in place of discarded bolts. Install the 1" u-clamps around the frame tubes at the top of mount from the inside and install the (2) 3/8" bolts and Nylock nuts through the mount and u-clamps. Tighten all bolts securely.
4. Install the 3/4" u-clamps around the bumper middle support arms from the outside of the tubes inward. Install the 1/4" bolts through the winch mount front arms, then through the clamps and install the 1/4" flat washers and Nylock nuts. Tighten all bolts securely.
5. Install the roller fairlead to the front of the mount using (2) 5/16" x 3/4" bolts and 5/16" Nylock nuts provided (rollers should turn freely). **Note:** Bottom roller may need to be removed to run wire rope through.
6. Using the instructions provided with the winch, wire accordingly.



NOTE: Roller fairlead not included with this kit!

FOR QUESTIONS REGARDING YOUR ORDER OR RETURNS CONTACT THE COMPANY YOU PURCHASED FROM.
FOR TECHNICAL OR INSTALLATION QUESTIONS PLEASE CALL THE MANUFACTURER: **763-689-4800**