

Winch Mount Installation Instructions

Kawasaki '02-'11 KVF 360 Prairie 2x4 & 4x4

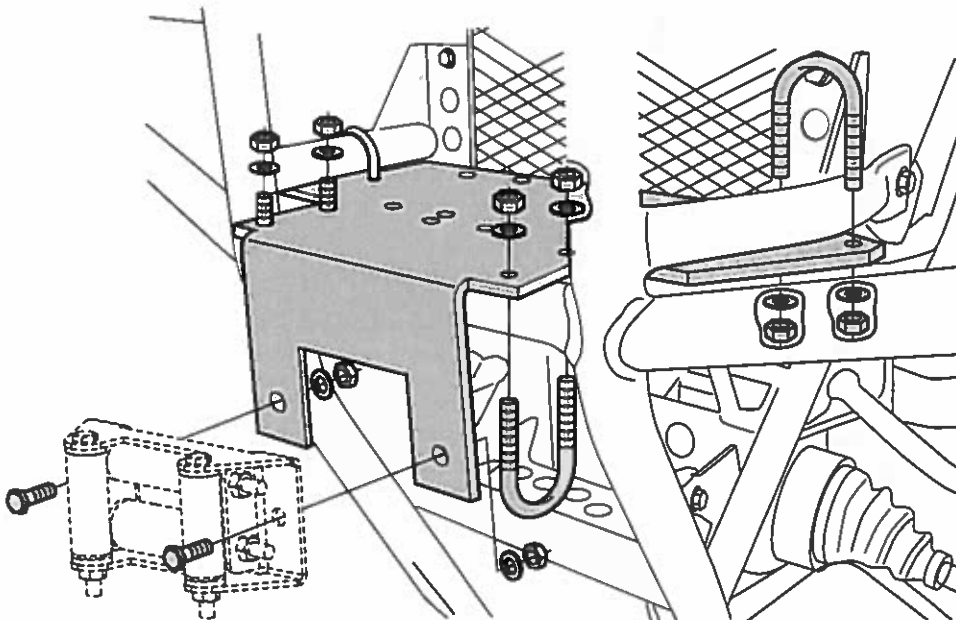
Part Number: 1531X

Qty.	Part #	Description
1	1531-1	Winch Mount
2	HDW2050	5/16" X 3/4" Hex Bolts
2	HDW2154	5/16" X 1-1/4" X 2" U-Bolts
2	HDW2150	5/16" X 1-1/8" X 1-3/4" U-Bolts
8	HDW9002	5/16" Flat Washers
10	HDW7058	5/16 Nylock Nuts

INSTRUCTIONS:

NOTE: Roller fairlead not included with this kit!

1. Remove the bottom and middle bumper mounting bolts.
2. Pull the front bumper outwards while sliding the winch mount behind the bumper with the roller fairlead mount tabs facing downward and towards the front. Slide the roller fairlead mount tabs through the upper opening of the bumper.
3. Bring the back of the winch mount up to the bottom of the middle bumper mounting tubes and install the (2) 5/16" x 1-1/8" x 1-3/4" U-Bolts over the tubes and through the winch mount. Install (4) 5/16" flat washers and Nylock nuts.
4. Install the (2) 5/16" x 1-1/4" x 2" U-Bolts over the middle bumper cross tube then through the winch mount. Install (4) 5/16" flat washers and Nylock nuts and tighten all nuts.
5. Install the winch to the bottom of the mount using the hardware provided with the winch. Be sure the winch winds in the correct direction.
6. Install the roller fairlead using (2) 5/16" x 3/4" hex bolts and 5/16" Nylock nuts provided (rollers should turn freely). **Note:** Bottom roller may need to be removed to run wire rope through.
7. Push the bumper back into place and reinstall the original bolts.
8. Using the instructions provided with the winch, wire accordingly.



FOR QUESTIONS OR COMMENTS PLEASE CALL THE MANUFACTURER: **763-689-4800**

All images used are copyrighted property of CMP and may not be used without permission.

Inst1531X 01/25/07