

Winch Mount Installation Instructions

Kawasaki 03-06 KAF 620 Mule 4x4, 05-07 Mule 3010 Diesel, 05 Suzuki 620 4x4

Part Number: 1532X (4505-0399)

Qty.	Part#	Description
1	1532-1	Winch Mount
2	HDW2050	5/16" x 3/4" Hex Bolts
4	HDW2064	5/16" x 1" Carriage Bolts
6	HDW7058	5/16" Nylock Nuts
4	HDW9002	5/16" Flat Washers

NOTE: Roller fairlead not included with this kit!

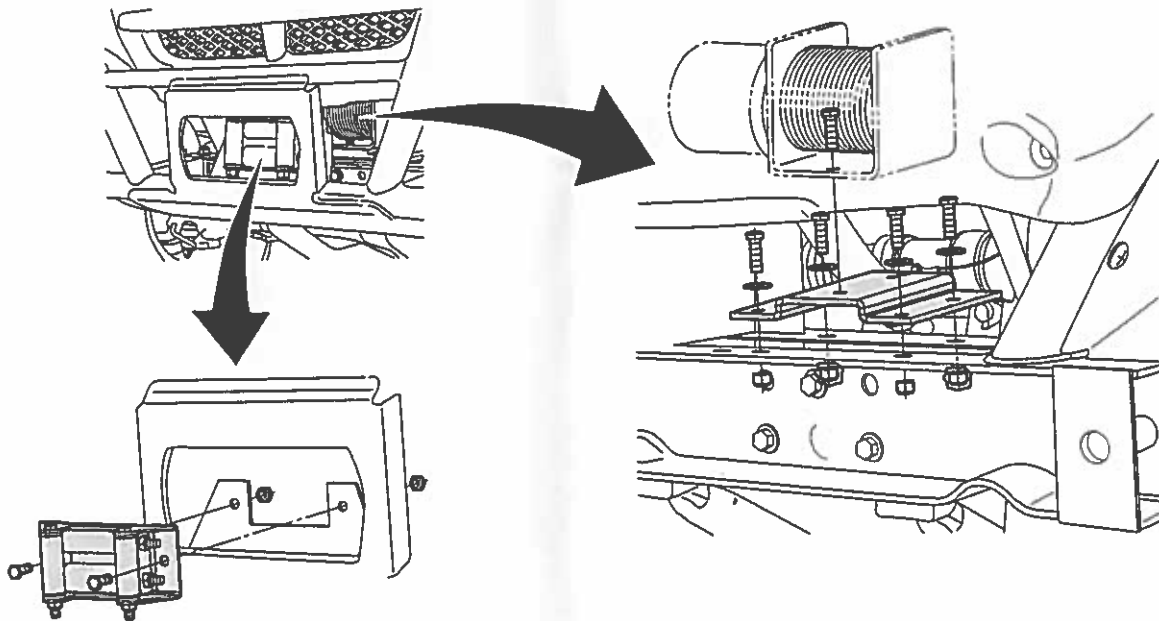
INSTRUCTIONS:

NOTE: Only 2 bolt pattern winches require this mount, 4 bolt pattern winches bolt directly to the frame.

1. Remove bumper.
2. Place winch on top of bumper frame.
3. Slide mount in between bumper frame and winch.
4. Install (4) 5/16"-18 x 1" bolts down through mount and tighten evenly using (4) 5/16" washers, and (4) 5/16" nylock nuts.
5. Install 5/16"-18 x 3/4" bolts through winch, through winch mount and tighten evenly using washers and nylock nuts.
6. Replace bumper.
7. Install roller fairlead using (2) 5/16"-18 x 3/4" hex bolts and (2) 5/16" nylock nuts.
8. Place winch on winch mount and run wire rope through roller fairlead. (Rollers should turn freely)

NOTE: Bottom roller may need to be removed to run wire rope through.

9. Using instructions provided with the winch, wire accordingly.



FOR QUESTIONS OR COMMENTS PLEASE CALL THE MANUFACTURER: **763-689-4800**

All images used are copyrighted property of CMP and may not be used without permission.

Inst1532X 11/10/06