

Winch Mount Installation Instructions

Suzuki

'05-'14 450/500/700/750 King Quad

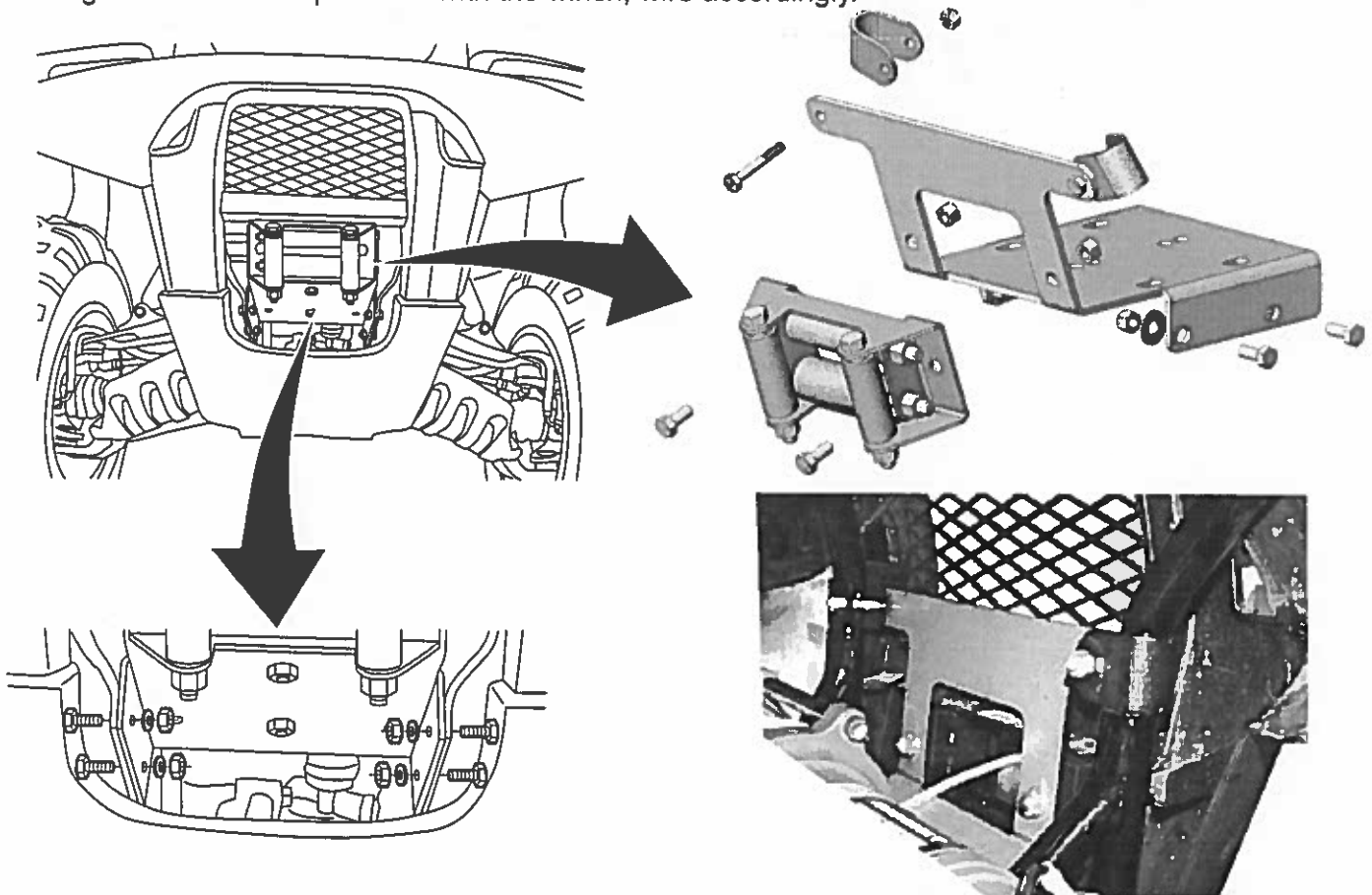
Part Number: 1554X

Qty.	Part#	Description
1	1554-1	Winch Mount
6	HDW2050	5/16" x 3/4" Hex Bolt
8	HDW7058	5/16" Nylock Nut
4	HDW9002	5/16" Flat Washer
2	HDW2056	5/16" x 2" Hex Bolt
2	FG2413	7/8" U-Clamp

INSTRUCTIONS:

NOTE: Roller fairlead not included with this kit!

1. Remove the lower front plastic skidpan and upper plastic bumper cover.
2. Position the winch mount behind the front bumper framework on the inside of the frame tabs. The top front of the winch mount will go in front of the front bumper tubes. Align the four lower holes in the winch mount with the holes in the frame. Install four 5/16" x 3/4" hex bolts through the frame tabs and the winch mount. Secure using four 5/16" flat washers and 5/16" nylock nuts.
3. Slide a 7/8" u-clamp over each front bumper tube facing inward and align with the upper tabs on the winch mount. Secure with a 5/16" x 2" hex bolt from the outside and a 5/16" nylock nut on the inside. Be careful not to overtighten.
4. Orientate the winch so the cable pulls off the bottom of the drum and bolt to the plate using the hardware provided with the winch.
5. Install your roller fairlead using two 5/16" x 3/4" hex bolts and 5/16" nylock nuts provided (rollers should turn freely). **Note:** Bottom roller may need to be removed to run wire rope through. If using a wire rope with aluminum hawse, you will need to use the hardware provided with the hawse.
6. Reinstall lower plastic skidpan and upper bumper cover.
7. Using the instructions provided with the winch, wire accordingly.



FOR QUESTIONS OR COMMENTS PLEASE CALL THE MANUFACTURER: 763-689-4800

All images used are copyrighted property of CMP and may not be used without permission.

Inst1554X 07/20/11