

# Winch Mount Installation Instructions

for '05-'06 Honda TRX500 Foreman Rubicon, GPScape 4x4

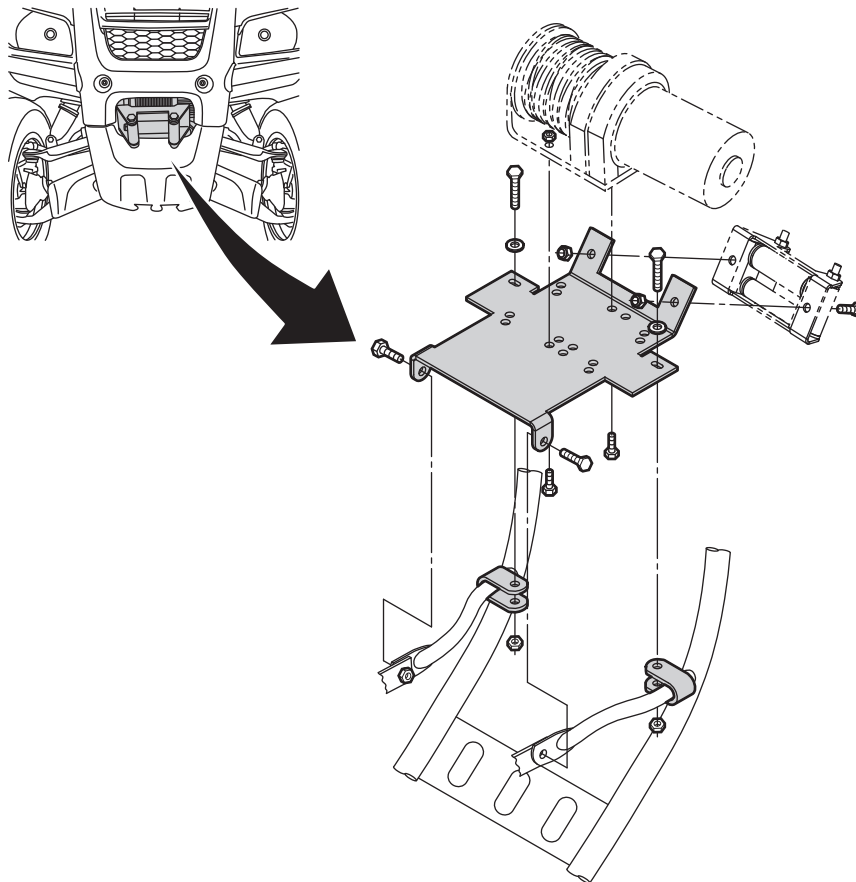
Part Number: 1528X

Qty.	Part#	Description
1	1528-1	Winch Mount
2	HDW2004	1/4" x 1-3/4" Hex Bolts
2	HDW7050	1/4" Nylock Nuts
2	HDW9012	1/4" Flat Washers
2	KD20P	3/4" U-Clamps
2	HDW2050	5/16" x 3/4" Hex Bolts
2	HDW7058	5/16" Nylock Nuts

## INSTRUCTIONS:

**NOTE: Roller fairlead not included with this kit!**

1. Remove the plastic lower front skid plate and the plastic upper bumper guard.
2. Remove the two bumper mounting bolts from the horizontal legs of the bumper.
3. Install the U-Clamps at the front of the horizontal bumper mounting legs from the outside, per the illustration.
4. Install the mount per the illustration by reinstalling the original bolts at the back and installing the provided 1/4" x 1-3/4" bolts, 1/4" flat washers and 1/4" nylock nuts through the mount and U-Clamps.
5. Tighten all nuts and bolts securely.
6. Install the winch to the winch mount using the hardware provided with the winch.
7. Install the roller fairlead to the winch mount using (2) 5/16" x 3/4" bolts and 5/16" nylock nuts provided. (Rollers should turn freely). **NOTE:** Bottom roller may need to be removed to run wire rope through.
8. Using the instructions provided with the winch, wire accordingly.
9. Reinstall the plastic lower front skid plate and the plastic upper bumper guard.



FOR QUESTIONS OR COMMENTS PLEASE CALL THE MANUFACTURER: **763-689-4800**