



Qty.	Part#	Description
1	1534-1	Winch Mount
4	HDW2154	5/16" x 1-1/4" x 2" Round U-Bolts
10	HDW7058	5/16" Nylock Nuts
8	HDW9002	5/16" Flat Washers
2	HDW2050	5/16" x 3/4" Hex Bolts

NOTE: Roller fairlead not included with this kit!

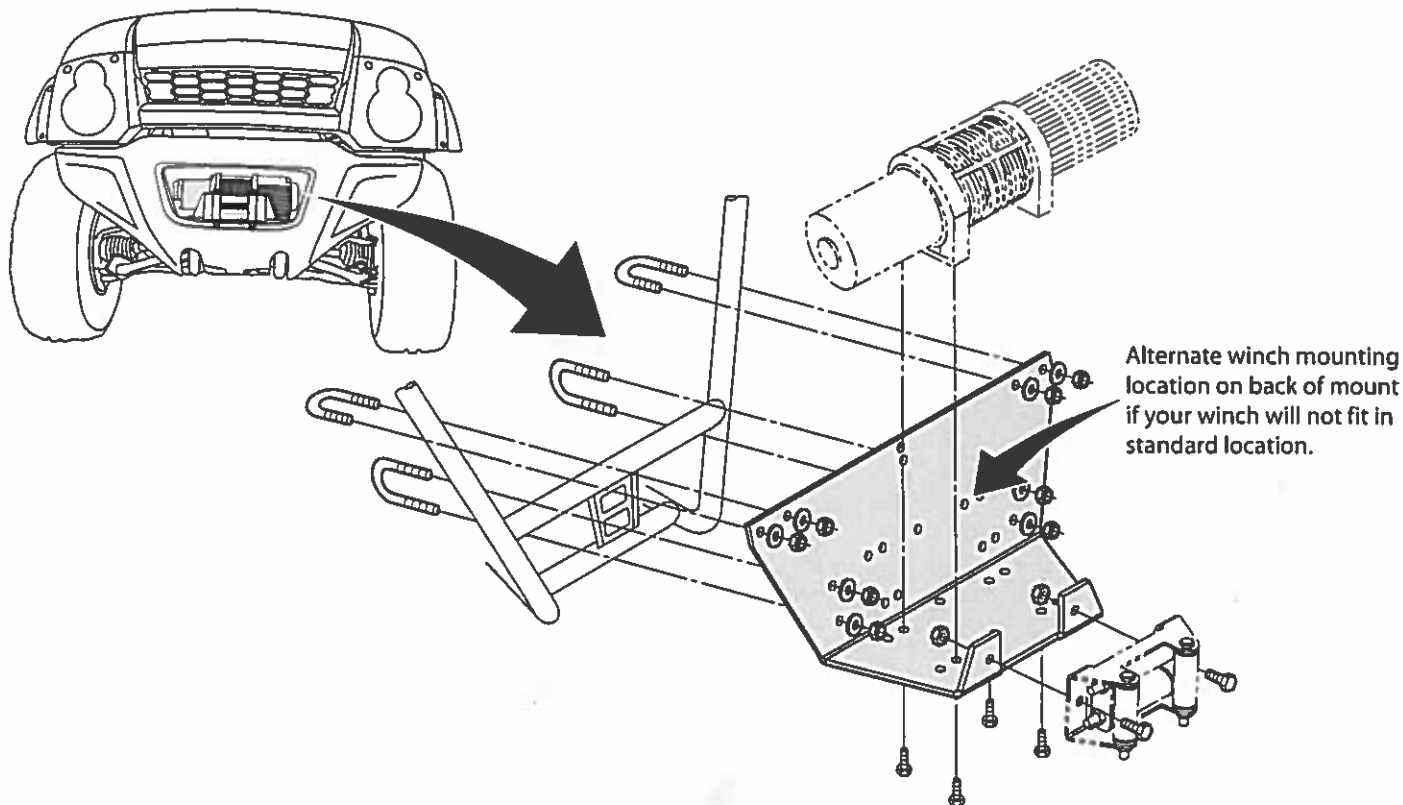
Winch Mount Installation Instructions

'05-'13 Kawasaki 610 Mule

Part Number: 60-8763

INSTRUCTIONS:

1. Remove the plastic lower front cover.
2. Remove the two bolts on the left side mud shield that connect to the frame for easier access.
3. Depending upon the size of your winch it can mount flat on the bottom of the mount or rolled forward and mounted to the back of the mount. Hold the winch mount and winch in place on the machine to determine which orientation will work best.
4. Install the winch to the winch mount using the hardware supplied with the winch. Position the winch so the cable is pulling from the bottom of the drum.
5. Install the winch and mount per the illustration using the provided U-Bolts, flat washers and nuts around the frame tubes and through the mount. Tighten all nuts and bolts securely.
6. Install the roller fairlead to the winch mount using (2) 5/16" x 3/4" bolts and 5/16" nylock nuts provided. This mount will accept both standard and wide roller fairleads, you will only use the set of holes that line up with your fairlead. (Rollers should turn freely. **NOTE:** Bottom roller may need to be removed to run wire rope through.)
7. Using the instructions provided with the winch, wire accordingly.
8. Reinstall the two bolts from the mud shield.
9. Reinstall the plastic lower front cover. **NOTE:** For some winches, this cover may need to be trimmed so it does not rub.



FOR QUESTIONS REGARDING YOUR ORDER OR RETURNS CONTACT THE COMPANY YOU PURCHASED FROM.
FOR TECHNICAL OR INSTALLATION QUESTIONS PLEASE CALL THE MANUFACTURER: 763-689-4800