

# Winch Mount

Polaris

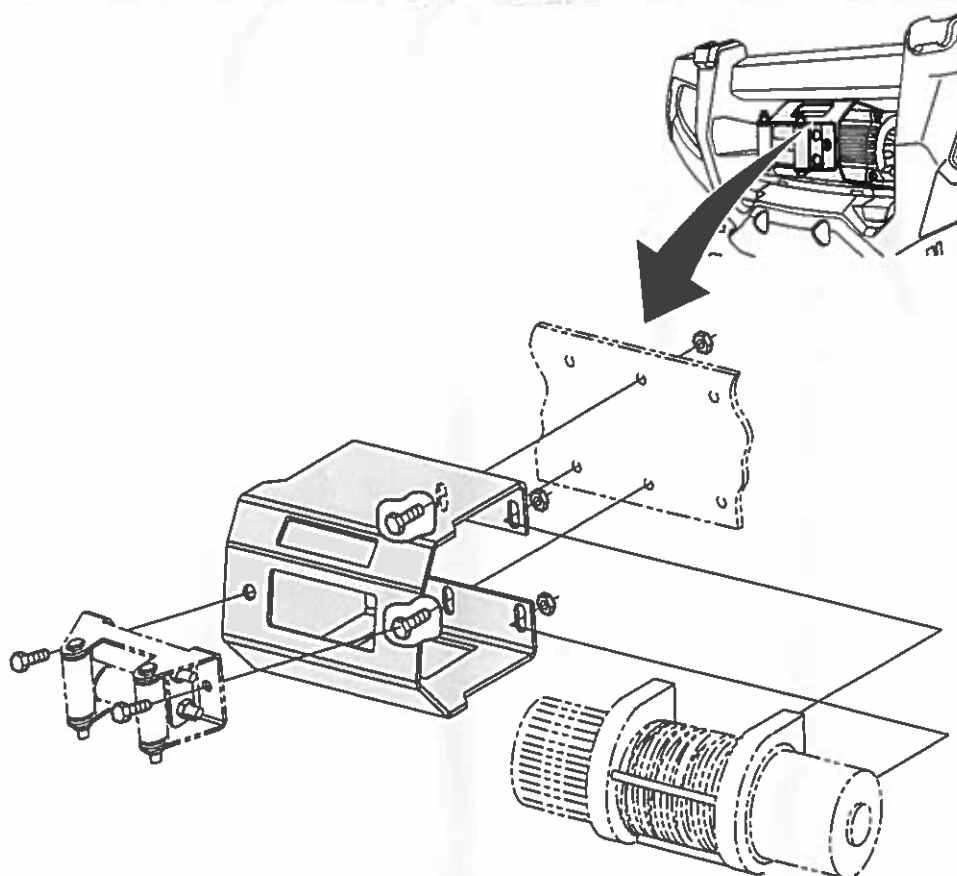
'06 500 Sportsman X2 4x4

PN: 1575X (4505-0385)

Item	Qty.	Part#	Description
1	1	1575-1	Mounting Bracket
2	2	HDW2050	5/16" x 3/4" Hex Head Bolts
3	2	HDW7058	5/16" Nylock Nuts

**NOTE: Roller fairlead not included with this kit!**

1. You must remove the front trunk/rack for proper installation. Open trunk and remove the two bolts on each edge of the trunk. Remove the four larger bolts in the center of the trunk. Remove the two bolts underneath each front fender. The trunk/rack should lift off the machine. **NOTE: Retain all Hardware.**
2. The front plastic Polaris cover should be removed by using a flat head screwdriver. The cover should pop off.
3. Attach the Roller Fairlead to Winch Mount Plate using hardware provided. Behind the Polaris cover there will be a plate to mount the winch and winch cover as illustrated using the hardware provided with the winch. The mounting holes will vary depending on the winch you have purchased. **NOTE: Depending on the size of the winch, the roller fairlead nuts and bolts may have to be reversed.**
4. Reattach the trunk/rack using the bolts that were removed, placing them into their proper locations.



FOR QUESTIONS OR COMMENTS PLEASE CALL THE MANUFACTURER: **763-689-4800**

All images used are copyrighted property of CMP and may not be used without permission.

Inst1575X 11/27/06