

Winch Mount Installation Instructions

2009-10 Ranger 500

2009 Ranger 700

2010-14 Ranger 800

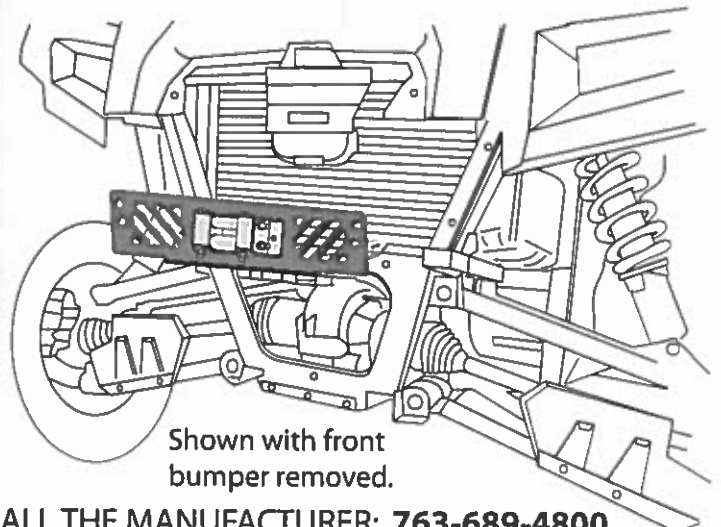
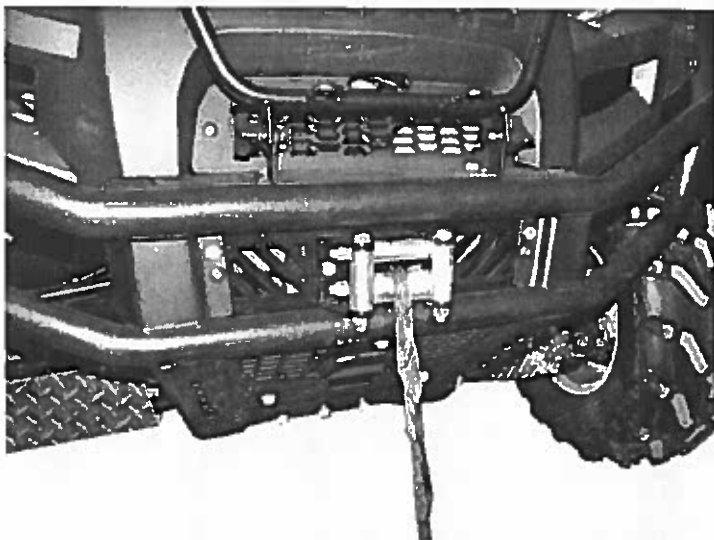
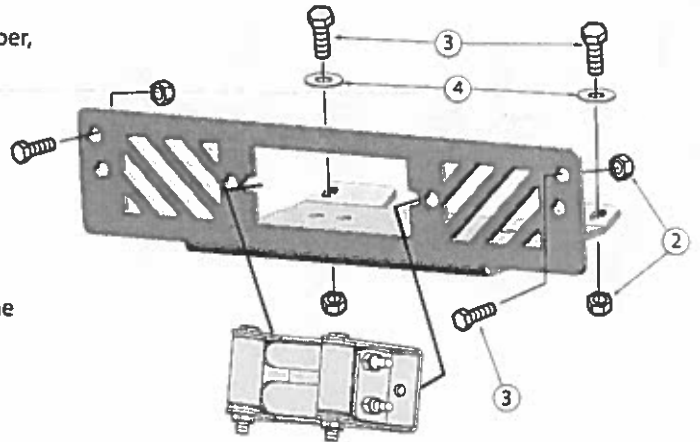
2011 Ranger Diesel

| Ref#. | Qty. | Part # | Description |
|-------|------|---------|------------------------|
| 1 | 1 | 1615-1 | Winch Mount Plate |
| 2 | 6 | HDW7058 | 5/16 Nylock Nuts |
| 3 | 6 | HDW2050 | 5/16" X 3/4" Hex Bolts |
| 4 | 2 | HDW9002 | 5/16" Flat Washers |

NOTE: Roller fairlead not included with this kit!

PART NUMBER: 1615X

- Remove the front metal screen from underneath the hood latch area and retain the hardware. Remove the one-piece front bumper assembly and retain the hardware.
- Loosely install the back tabs of the main winch mount plate on the frame rail just beneath the radiator per the illustration. Hand tighten only with two 5/16" x 3/4" hex bolts (#3), flat washers (#4), and 5/16" nylock nuts (#2).
- Set your winch in place on top of the mount plate but do not bolt in yet. Make sure to orientate your winch so the cable pulls off the bottom of the drum. Pull a small amount of cable out through the fairlead hole in the mount plate.
- Put the front bumper back in place on the machine but do not tighten the bolts yet. Using two 5/16" x 3/4" hex bolts (#3) and 5/16" nylock nuts (#2), bolt the front bumper to the two upper corners of the winch plate on each side of the fairlead. Hand tighten only. See Illustration.
- This mount accepts both sizes of roller fairleads, you will only use the one set of holes that match up with your roller fairlead. Install your roller fairlead to the front of the winch mount and bolt in place using two 5/16" x 3/4" hex bolts (#5) and 5/16" nylock nuts (#4). Pull the cable through the fairlead and install the hook. **NOTE:** If using a synthetic rope with aluminum hawse you will need to use the hardware provided with your winch to mount the hawse.
- You can now tighten all the bolts starting with the front bumper, front winch plate mount bolts, rear winch plate mount bolts, and roller fairlead bolts.
- Using the hardware that came with your winch, bolt the winch to the plate. Using the instructions provided with the winch, wire accordingly.
- Reinstall front metal screen using original hardware. Reinstall stock large black Torx bolts into the two remaining holes in the front of the winch mount



FOR QUESTIONS OR COMMENTS PLEASE CALL THE MANUFACTURER: 763-689-4800

All images used are copyrighted property of CMP and may not be used without permission. Inst1615X 07/19/2011