

Winch Mount

Arctic Cat

2008-11 366 4x4

2012 350 4x4

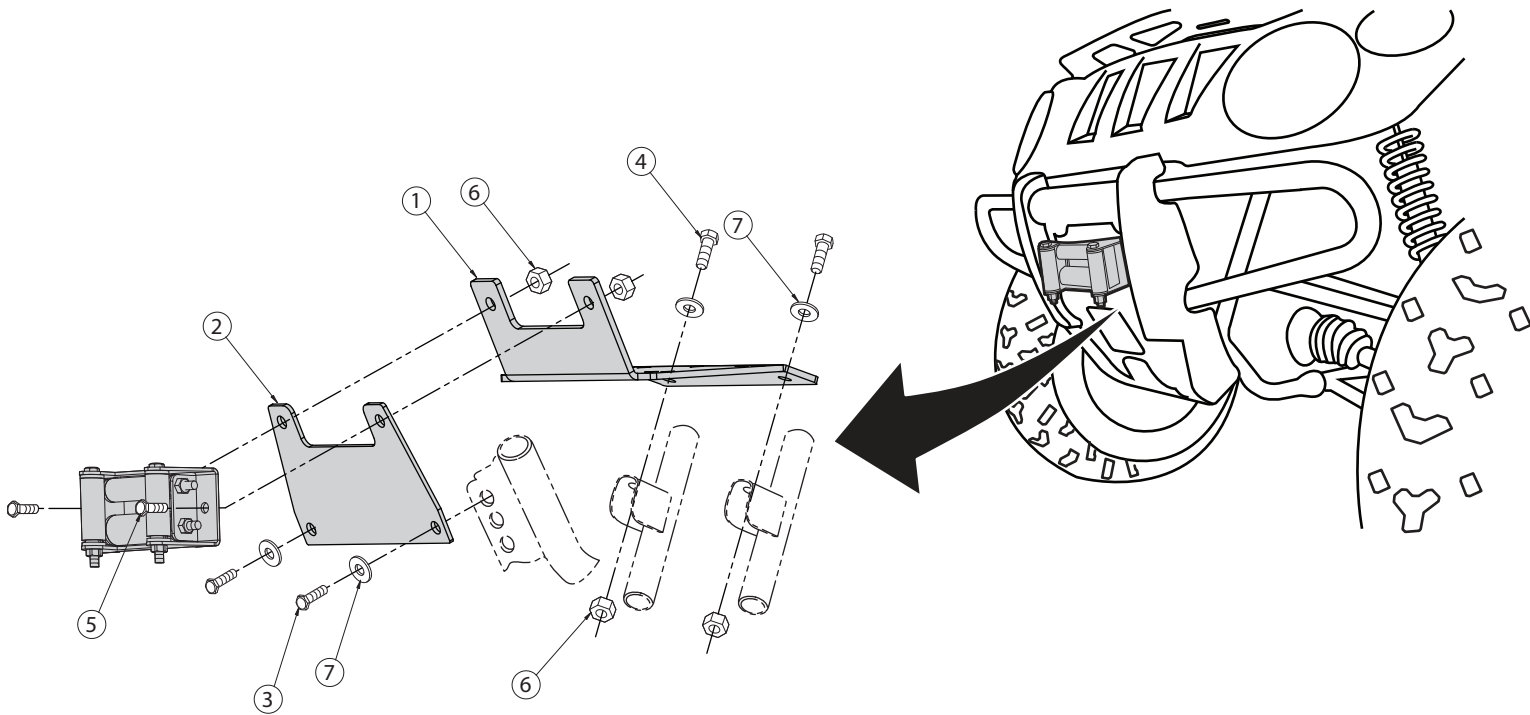
2012 425 4x4

PN: 1513X

Item	Qty.	Part#	Description
1	1	1513-1	Main Plate
2	1	1513-2	Secondary Plate
3	2	HDW1050	8mm - 1.25 x 20mm Bolts
4	2	HDW2050	5/16" x 3/4" Hex Head Bolts
5	2	HDW2051	5/16" x 1" Hex Head Bolts
6	4	HDW7058	5/16" Nylock Nuts
7	4	HDW9002	5/16" Flat Washers

NOTE: Roller fairlead not included with this kit!

1. Remove the bumper cover, set aside and retain all hardware.
2. Attach the main plate (1) on top of the mounts on the frame per illustration. Bolt the rear of the plate in place through the stock slotted holes in the frame mounts using two 5/16" x 3/4" hex head bolts (5), flat washers (7), and two 5/16" nylock nuts (6).
3. Attach the smaller flat front mounting plate (2) to the front of the bumper making sure to align the roller fairlead holes with the roller fairlead holes in the main plate. Bolt in place per illustration using two 8mm x 20mm bolts (3) with 5/16" flat washers into the stock threaded holes in the frame.
4. Bolt your roller fairlead in place through both plates from the outside using two 5/16" x 1" bolts (5) and nylock nuts (6).
5. Install your winch to the winch plate per the installation instructions provided with your winch. Position the winch on the plate as close to center as possible. Make sure the winch cable pulls from the bottom of the winch drum.
7. Reattach the bumper cover using the stock mounting hardware.



FOR QUESTIONS OR COMMENTS PLEASE CALL THE MANUFACTURER: **763-689-4800**