

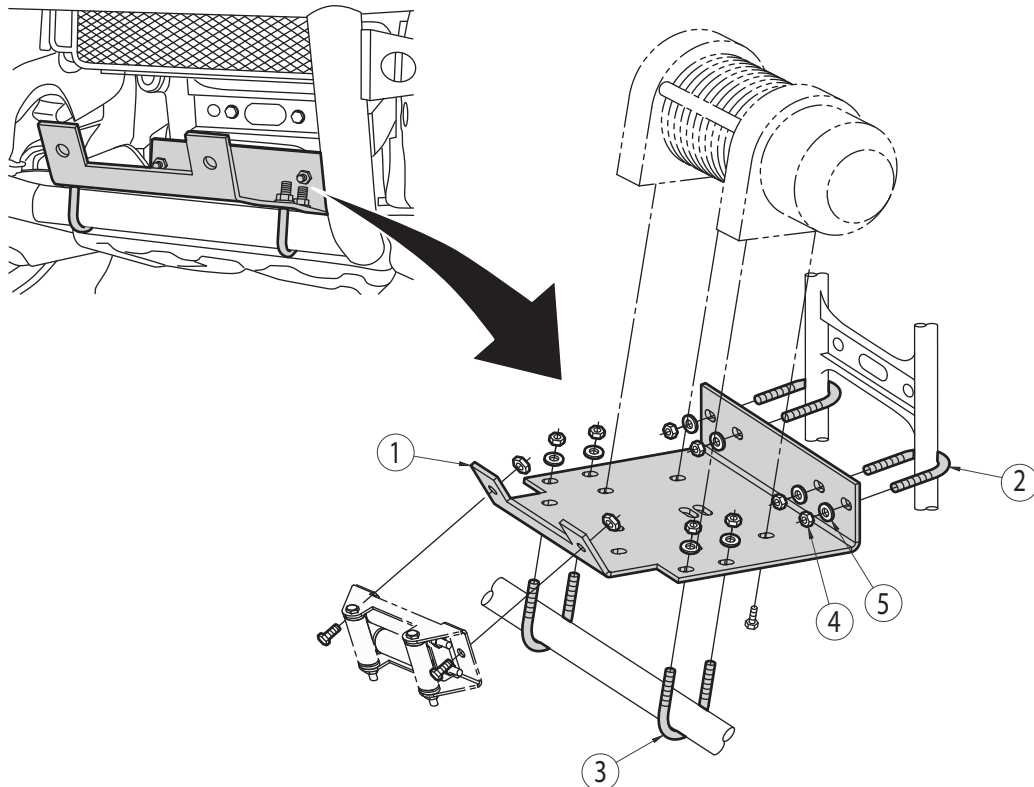
# Winch Mount Kawasaki

'06-12 650 Brute Force (STRAIGHT AXLE)  
PN: 1536X

Item	Qty.	Part#	Description
1	1	1536-1	Winch Mount Plate
2	2	HDW2154	5/16" 1-1/4" x 2" U-Bolts
3	2	HDW2150	5/16" 1-3/8" x 2-3/16" U-Bolts
4	8	HDW7058	5/16" Nylock Nuts
5	8	HDW9002	5/16" Flat Washers

**NOTE: Roller fairlead not included with this kit!**

1. Remove the upper plastic bumper guard and retain.
2. Remove the top two bolts on the lower plastic skid plate and retain.
3. Remove the plastic shroud in front of the radiator where the winch will sit.
4. Attach the Winch Mount Plate (1) to the bumper as illustrated using the two 5/16" x 1-3/8" x 2-3/16" U-bolts (3), four 5/16" Flat Washers (5) and four 5/16" Nylock Nuts (4).
5. Attach the 5/16" x 1-1/4" x 2" U-bolts (2), four 5/16" Washers (5) and four 5/16" Nylock Nuts (4) onto the inside frame as illustrated.
6. Bolt your winch to the plate using the hardware provided with your winch. Orientate the winch so the cable pulls from the bottom of the drum. There are two sets of bolt holes for 4-bolt pattern winches, depending upon your winch, use either the front or back set of holes. Some winches will require the plastic panels surrounding the radiator to be trimmed for clearance.
7. Attach the Roller Fairlead using the two 5/16" x 3/4" Hex Head Bolts and two 5/16" Nylock Nuts.
8. Reattach the bumper and skid plate using the hardware retained.



FOR QUESTIONS OR COMMENTS PLEASE CALL THE MANUFACTURER: **763-689-4800**

All images used are copyrighted property of CMP and may not be used without permission.

Inst1536X 09/25/06