

# Winch Mount Installation Instructions

2009-14 Polaris Sportsman 550/850 XP  
2011-14 Polaris Sportsman 400/500/570/800  
2013-14 Polaris Scrambler 850

Part Number: 1604X

Ref#.	Qty.	Part #	Description
1	1	1575-1	Main Winch Mount Plate
2	1	1604-1	Rear Support Plate
3	6	HDW2050	5/16" X 3/4" Hex Bolts
4	2	HDW7058	5/16" Nylock Nuts

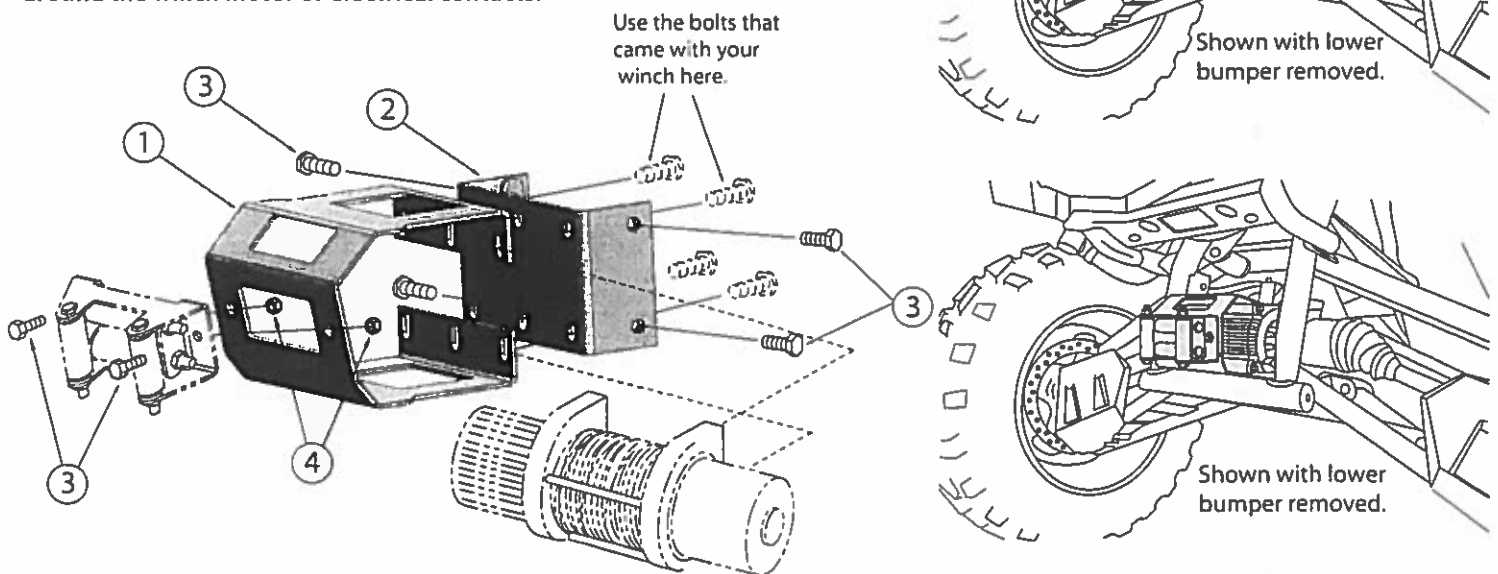
**Note: Roller fairlead is not included in this mount kit.**

## INSTRUCTIONS:

1. Remove the stock lower bumper pan assembly. On Scrambler models remove the front plastic.
2. You will assemble the winch, winch mount plates, and roller fairlead as an assembly before installing onto the machine.
3. Slide your winch into the main winch mount plate (#1) orientating it so the cable pulls off the **TOP** of the drum. The side of the winch mount with the extra rectangular hole is the top side.
4. Line up the rear support plate (#2), main winch mount plate (#1) and winch mounting holes. Using the hardware that came with your winch, bolt the three pieces together. See Illustration.
5. Pull some cable out of the winch and through your roller fairlead then install the roller fairlead (#5) on the outside of the main winch mount plate. Secure with two 5/16" x 3/4" hex bolts (#3) and 5/16" nylock nuts (#4). (rollers should turn freely).  
**Note:** Bottom roller may need to be removed to run the wire rope through. **Note:** If using an aluminum hawse, different hardware may be required, check the hardware that came in the winch box.
6. The winch assembly will now bolt onto the tabs welded to the inside of the frame tube. See illustration. Use four 5/16" x 3/4" hex bolts (#3) to secure it to the frame.
7. Using the instructions provided with the winch, wire accordingly.
8. Reinstall front lower bumper pan.

**NOTE: Standard Sportsman 400/500/800 models will require the plastic pan to be cut out for the roller fairlead.**

**Scrambler 850 models may require trimming of the front plastic around the winch motor or electrical contacts.**



FOR QUESTIONS REGARDING YOUR ORDER OR RETURNS CONTACT THE COMPANY YOU PURCHASED FROM.  
FOR TECHNICAL OR INSTALLATION QUESTIONS PLEASE CALL: 763-689-4800

All images used are copyrighted property of CMP and may not be used without permission. Inst1604X 11/20/08