



# Stealthbox®

INSTALLATION GUIDE  
for the

**SB-T-TACACG3/10TW3**

**SKU# 94658**

**2016 & Up Toyota Tacoma Access Cab**

**Enclosure Type:** Sealed

**Driver Type:** 10TW3-D4

**Nominal Impedance:** 2 ohms

**Continuous Power Handling:** 400 watts (RMS method)

### ! IMPORTANT

If you choose to perform the installation yourself, it is absolutely vital that the Stealthbox® be properly mounted to the vehicle according to these instructions. Failure to mount the enclosure properly presents two problems:

- 1) The sub-bass performance will suffer due to the movement of the enclosure caused by the force exerted by the woofer(s).
- 2) A loose enclosure presents a serious safety hazard in the event of a collision or sudden deceleration.

INSTALLATION  
DIFFICULTY:

1 OUT OF 5

ESTIMATED TIME:  
1 HOUR

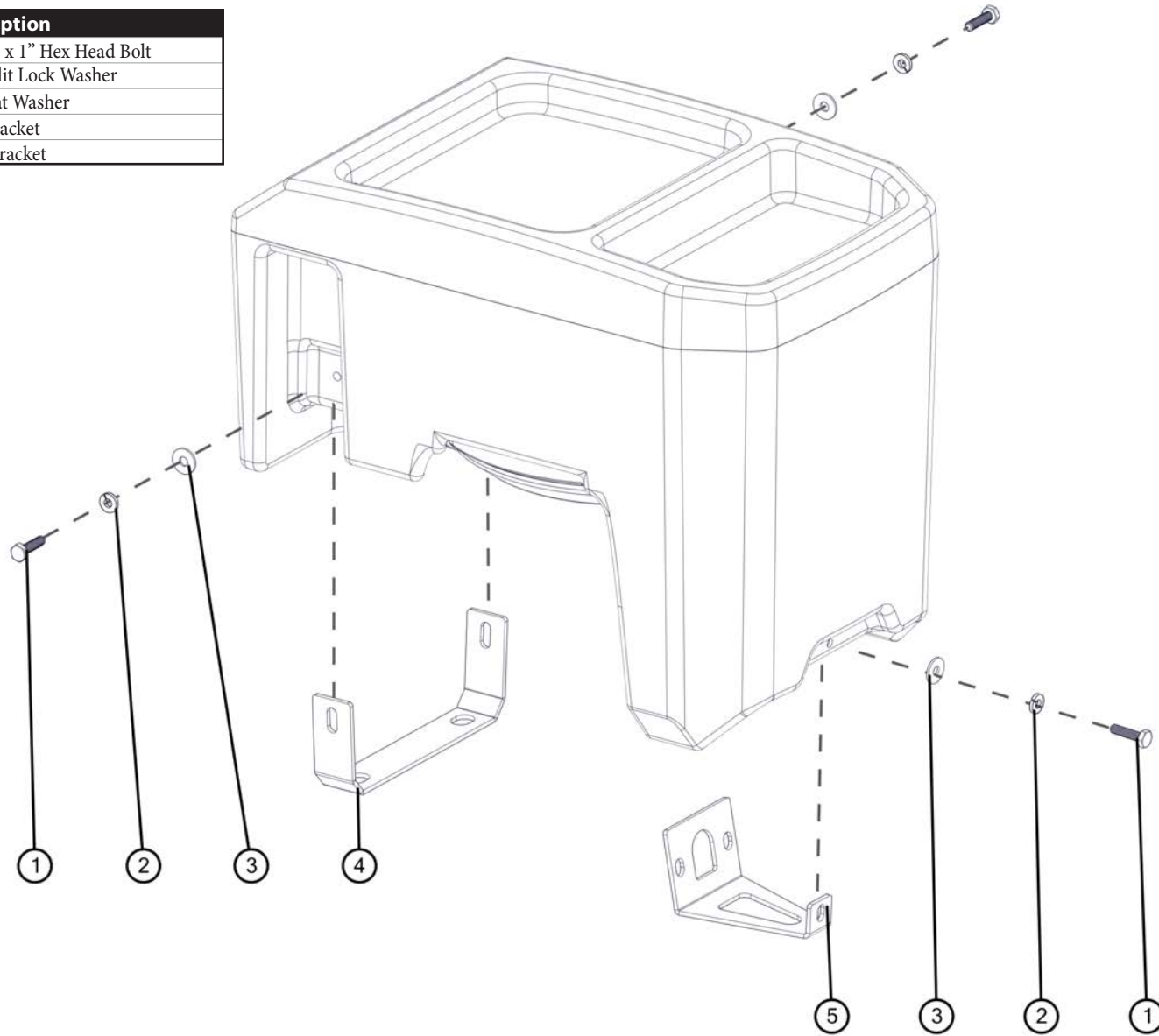


*Thank you for choosing a JL Audio Stealthbox® for your automotive sound system. With proper installation, your new vehicle-specific enclosed subwoofer system will deliver years of listening pleasure.*

*We strongly recommend that you have your new Stealthbox® installed by your authorized JL Audio dealer. The installation professionals employed by your dealer have the necessary tools and experience to disassemble and reassemble your vehicle properly. If you prefer to perform your own installation, please read this installation guide completely before beginning the process.*

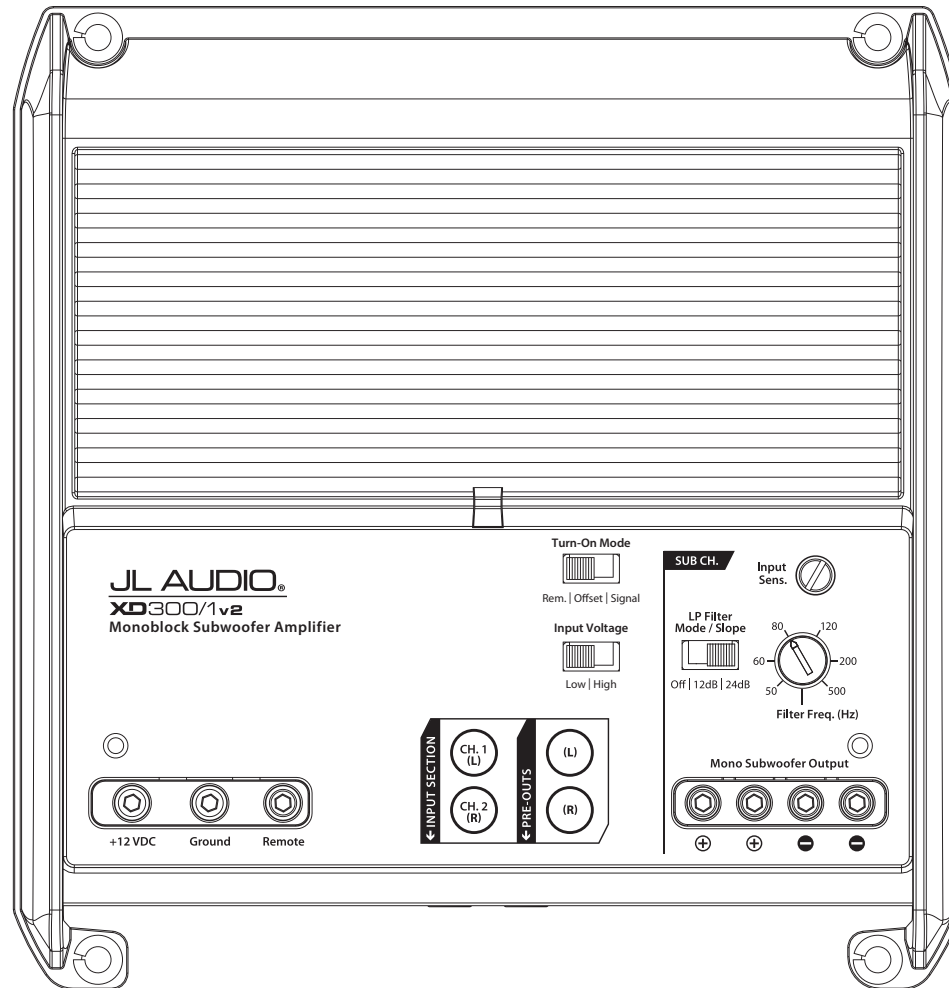
**INCLUDED HARDWARE**

BOM ID	Qty	SKU	Description
1	3	153117	1/4 - 20 x 1" Hex Head Bolt
2	3	151098	1/4" Split Lock Washer
3	3	151021	1/4" Flat Washer
4	1	153945	Rear Bracket
5	1	153944	Front Bracket



## POWER RECOMMENDATION

JL Audio recommends high quality amplifiers such as the JL Audio XD300/1v2. The diagram below shows the recommended crossover settings for the XD300/1v2. For a detailed description of the amplifier settings, consult the owner's manual for the amplifier. If another amplifier is being used, please reference this illustration and use similar settings on that amplifier.



## CONNECTIONS

Using quality power, signal, and speaker wire is essential in ensuring the performance of your Stealthbox®. JL Audio recommends using a 4 AWG power kit such as the XD-PCS4-1B for your Stealthbox® amplifier. Other kits are available should you be using more than one amplifier. Signal wire such as the JL Audio Premium Audio Interconnect Cables should be used to provide signal for both channels of the amplifier. JL Audio recommends using 12AWG speaker wire for subwoofers such as our XC-BCS12-25.



**STEP 1**

Empty the rear seat area.



**STEP 2**

Fold the seat bottoms up.



**STEP 3**

Remove the two inserts from the rear console to access the factory bolts. Remove the four bolts, and remove the console from the vehicle. It will not be reinstalled.



**STEP 4**

Remove the two bolts from the console bracket.



**STEP 5**

Remove the console bracket from the vehicle. It will not be reinstalled.



**STEP 6**

Slide the bolt covers up the seat belts to access the factory bolts.



**STEP 7**

Remove the two seat belt bolts, and remove the seat belts from the vehicle. The bolt covers will not be reinstalled.



**STEP 8**

Using the factory bolts removed in **Step 4**, secure the Front Bracket to the vehicle, as shown.



**STEP 9**

Pass a seat belt bolt removed in **Step 7** through each of the holes in the Rear Bracket, then a seat belt bracket. Secure the assembly to the vehicle, as shown.

**STEP 10**

Connect speaker cable to the barrier strip on the Stealthbox®, and place the enclosure in position, as shown.

Route the cable, as necessary.

**STEP 11**

Slide a 1/4" Split Lock Washer and 1/4" Flat Washer over a 1/4 - 20 x 1" Hex Head Bolt, and pass the assembly through the hole in the Rear Bracket, into the threaded insert in the side of the enclosure, and hand tighten.

Repeat for the opposite side.

**STEP 12**

Slide a 1/4" Split Lock Washer and 1/4" Flat Washer over a 1/4 - 20 x 1" Hex Head Bolt, and pass the assembly through the hole in the Front Bracket, into the threaded insert in the front of the enclosure, and fully tighten.

Fully tighten the two 1/4 - 20 x 1" Hex Head Bolts installed in the previous step.

**CONGRATULATIONS!**

You have completed the installation for this model! Enjoy your new Stealthbox®!

**MID/HIGH FREQUENCY DRIVER FITMENT**

A variety of JL Audio coaxial and component systems will fit in the factory speaker locations of your vehicle.

Location / OEM Speaker Size	Suggested JL Audio Speaker Models	
	Coaxial Models	Component Models
Front Doors / 6 x 9-inch	C1-690x <sup>(1)</sup> , C1-690tx <sup>(1)</sup> , C2-690tx <sup>(1)</sup> , C2-650x <sup>(1)</sup> , C5-650x <sup>(1)</sup>	C1-690 <sup>(1)</sup> , C1-650 <sup>(1)</sup> , C2-650 <sup>(1)</sup> , C3-650 <sup>(1)</sup> , C5-650 <sup>(1)</sup> , C7-650cw <sup>(1,2)</sup>
Rear Doors / 6.5-inch	C1-650x, C2-650x, C5-650x	C1-650, C2-650, C3-650, C5-650, C7-650cw <sup>(2)</sup>

1 - Installation may require adaptor, 2 - Component woofer only

**JL AUDIO** | How we play.®    

(954) 443-1100

[www.jlaudio.com](http://www.jlaudio.com)

All specifications are subject to change without notice. "JL Audio" and "How we play" are registered trademarks of JL Audio, Inc. "Ahead of the Curve" and its respective logo are trademarks of JL Audio, Inc.  
Printed in USA • ©2017 JL Audio, Inc. • For more detailed information please visit us online at [www.jlaudio.com](http://www.jlaudio.com).

JLA-SKU# 011503 • ver. 12.21.2017 • 10369 NORTH COMMERCE PARKWAY • MIRAMAR, FLORIDA • 33025 • USA



\*011503\*