



Ahead of the Curve®



Stealthbox®

INSTALLATION GUIDE
for the

SB-T-TACDCG3/10TW3

SKU# 94654

2016 & Up Toyota Tacoma Double Cab

Enclosure Type: Sealed

Driver Type: 10TW3-D4

Nominal Impedance: 2 ohms

Continuous Power Handling: 400 watts (RMS method)

! IMPORTANT

If you choose to perform the installation yourself, it is absolutely vital that the Stealthbox® be properly mounted to the vehicle according to these instructions. Failure to mount the enclosure properly presents two problems:

- 1) The sub-bass performance will suffer due to the movement of the enclosure caused by the force exerted by the woofer(s).
- 2) A loose enclosure presents a serious safety hazard in the event of a collision or sudden deceleration.

INSTALLATION
DIFFICULTY:

1 OUT OF 5

ESTIMATED TIME:
1 HOUR

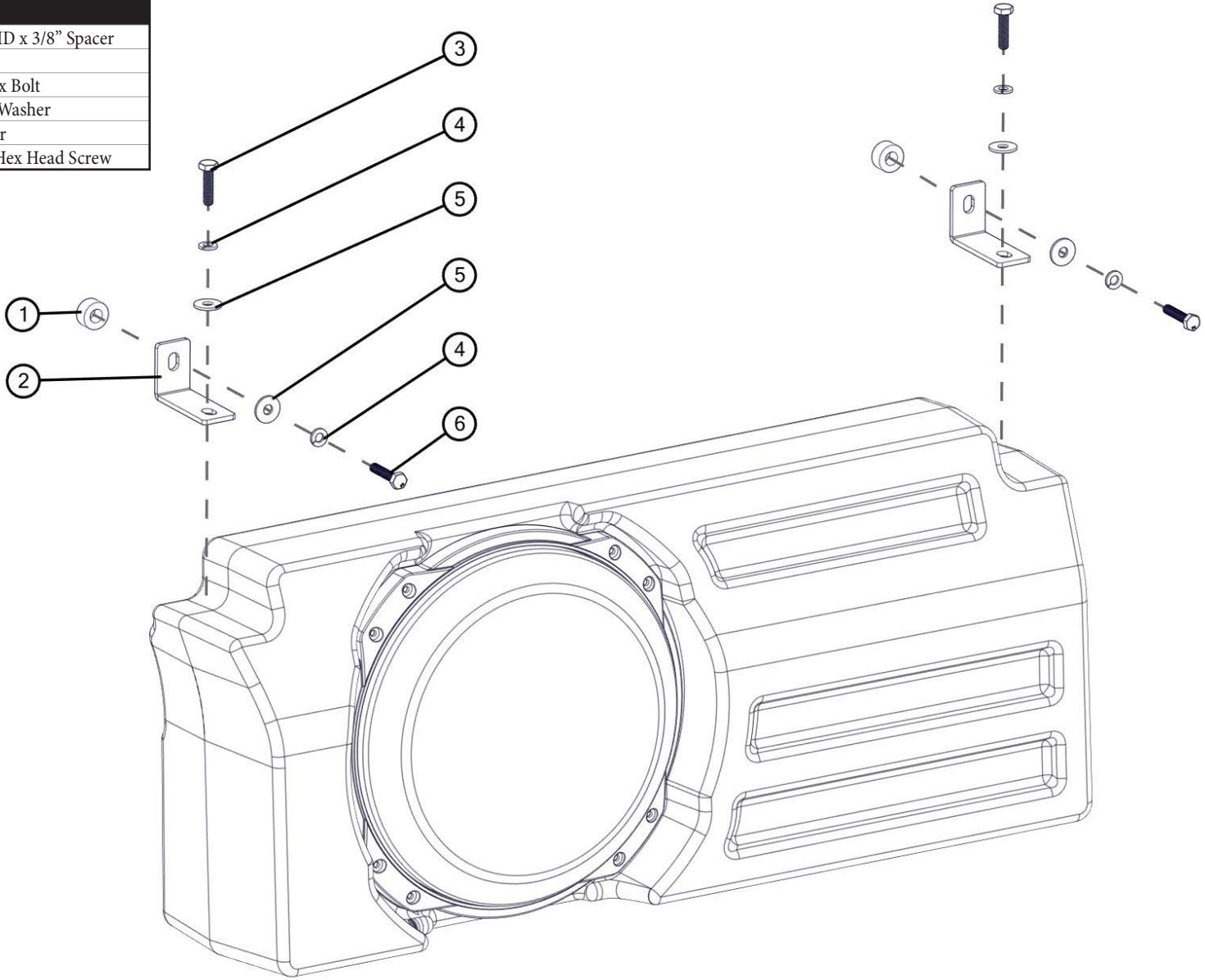


Thank you for choosing a JL Audio Stealthbox® for your automotive sound system. With proper installation, your new vehicle-specific enclosed subwoofer system will deliver years of listening pleasure.

We strongly recommend that you have your new Stealthbox® installed by your authorized JL Audio dealer. The installation professionals employed by your dealer have the necessary tools and experience to disassemble and reassemble your vehicle properly. If you prefer to perform your own installation, please read this installation guide completely before beginning the process.

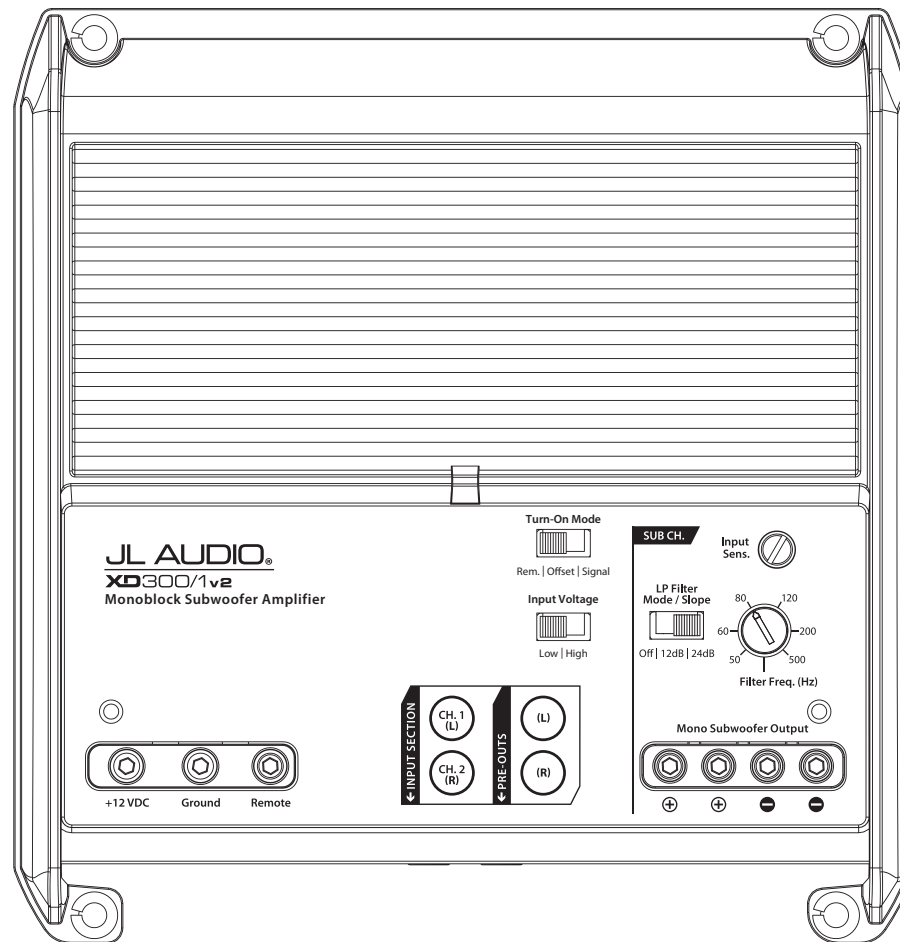
INCLUDED HARDWARE

BOM ID	Qty	SKU	Description
1	2	151329	3/4" OD x 3/8" ID x 3/8" Spacer
2	2	153676	L-Bracket
3	2	151137	1/4 - 20 x 1" Hex Bolt
4	4	151098	1/4" Split Lock Washer
5	4	150485	1/4" Flat Washer
6	2	151359	M6-1 x 30mm Hex Head Screw



POWER RECOMMENDATION

JL Audio recommends high quality amplifiers such as the JL Audio XD300/1v2. The diagram below shows the recommended crossover settings for the XD300/1v2. For a detailed description of the amplifier settings, consult the owner's manual for the amplifier. If another amplifier is being used, please reference this illustration and use similar settings on that amplifier.



CONNECTIONS

Using quality power, signal, and speaker wire is essential in ensuring the performance of your Stealthbox®. JL Audio recommends using a 4 AWG power kit such as the XD-PCS4-1B for your Stealthbox® amplifier. Other kits are available should you be using more than one amplifier. Signal wire such as the JL Audio Premium Audio Interconnect Cables should be used to provide signal for both channels of the amplifier. JL Audio recommends using 12AWG speaker wire for subwoofers such as our XC-BCS12-25.



STEP 1

Empty the rear seat area.



STEP 2

Fold the passenger side seat bottom forward.



STEP 3

Remove the two headrests on the passenger side seat back.



STEP 4

Fold the passenger side seat back down to access the rear storage pocket.



STEP 5

Locate the small, plastic tab in the center of the storage pocket floor. Using a razor knife, carefully remove the tab.



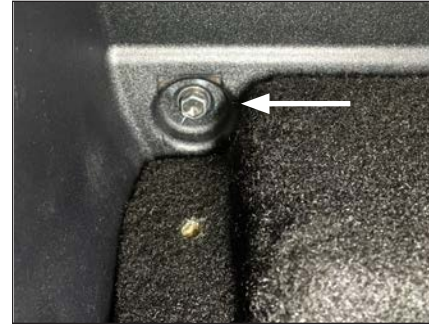
STEP 6

Route speaker cable to the inner side of the storage pocket.



STEP 7

Connect the speaker cable to the terminal cup on the side of the enclosure, and place the Stealthbox® into position, as shown.

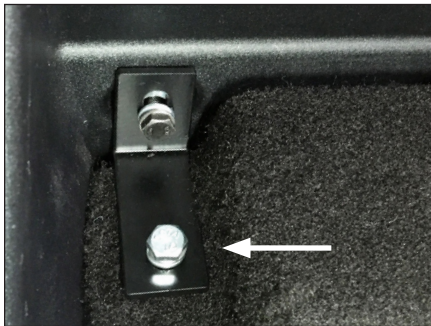


STEP 8

Remove the factory bolt from the back of the storage pocket on each side of the enclosure. These will not be reinstalled.

**STEP 9**

Slide a 1/4" Split Lock Washer and a 1/4" Flat Washer over an M6-1 x 30mm Hex Head Screw. Pass the assembly through the short end of an L-Bracket, then through a 3/4" OD x 3/8" ID x 3/8" Spacer, thread the M6-1 x 30mm Hex Screw into the factory hole, and hand-tighten.

**STEP 10**

Slide a 1/4" Split Lock Washer and a 1/4" Flat Washer over a 1/4 - 20 x 1" Hex Bolt. Pass the assembly through the long end of the L-Bracket, thread the 1/4 - 20 x 1" Hex Bolt into the threaded insert in the top of the enclosure, and hand-tighten.

**STEP 11**

Repeat **Steps 9-10** for the opposite side.

Fully tighten the two M6-1 x 30mm Hex Head Screws in the factory holes first, then fully tighten the 1/4 - 20 x 1" Hex Bolts in the enclosure.

**STEP 12**

Fold the seat back up, reinstall the headrests, and fold the seat bottom back down.

CONGRATULATIONS!

You have completed the installation for this model! Enjoy your new Stealthbox®!

**MID/HIGH FREQUENCY DRIVER FITMENT**

A variety of JL Audio coaxial and component systems will fit in the factory speaker locations of your vehicle.

Location / OEM Speaker Size	Suggested JL Audio Speaker Models	
	Coaxial Models	Component Models
Front Doors / 6 x 9-inch	C1-690x ⁽¹⁾ , C1-690tx ⁽¹⁾ , C2-690tx ⁽¹⁾ , C2-650x ⁽¹⁾ , C5-650x ⁽¹⁾	C1-690 ⁽¹⁾ , C1-650 ⁽¹⁾ , C2-650 ⁽¹⁾ , C3-650 ⁽¹⁾ , C5-650 ⁽¹⁾ , C7-650cw ^(1,2)
Rear Doors / 6.5-inch	C1-650x, C2-650x, C5-650x	C1-650, C2-650, C3-650, C5-650, C7-650cw ⁽²⁾

1 - Installation may require adaptor, 2 - Component woofer only

JL AUDIO | How we play.®    

(954) 443-1100

www.jlaudio.com

All specifications are subject to change without notice. "JL Audio" and "How we play" are registered trademarks of JL Audio, Inc. "Ahead of the Curve" and its respective logo are trademarks of JL Audio, Inc.

Printed in USA • ©2017 JL Audio, Inc. • For more detailed information please visit us online at www.jlaudio.com.

JLA-SKU# 011495 • ver. 11.17.2017 • 10369 NORTH COMMERCE PARKWAY • MIRAMAR, FLORIDA • 33025 • USA



011495